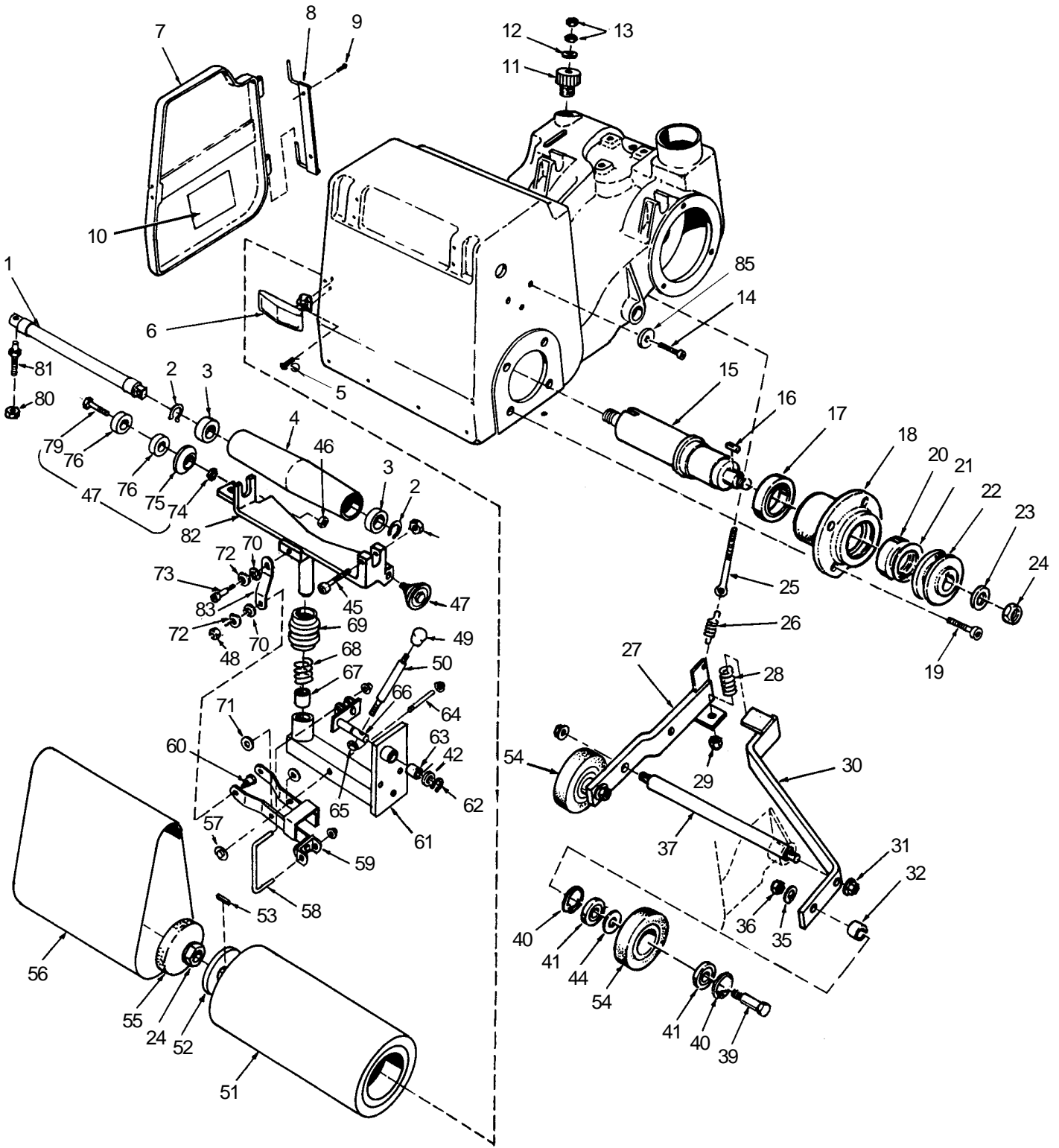

IVIE Enterprises
www.ivie-ent.com Ph:(918)254-5161 or (888)262-5161 Fax:(918)250-4807



Classic12 Belt Sander

Section II Parts and Service Manual

AMERICAN SANDER TECHNOLOGY
American Classic Sander 12
Assembly Drawing #1 11/00



IVIE Enterprises

www.ivie-ent.com Ph:(918)254-5161 or (888)262-5161 Fax:(918)250-4807

AMERICANSANDERSTECHNOLOGY
American Classic Sander 12
Assembly Parts List #1 11/00

Ref No.	Part No	Description	Qty
1	67454A	Shaft, Tension Roller	1
2	857348	Ring, Retaining	2
3	902550	Bearing	2
4	67202A	Roller, Tension	1
5	85517A	Screw 10-24 x 1/2	3
6	55710A	Latch, Draw	1
7	22301A ◆	Access Door	1
8	64506C ◆	Hinge, Access Door	1
9	85386A	Screw 10-24 x 5/8	2
10	77057A	Label, Belt Tracking Adj.	(1)
11	65307A	Knob, Sanding Pressure	1
12	980645	Washer 3/8	1
13	920260	Nut 3/8 -16	2
14	86112A	Screw, 3/8 -16 x 3/4 Socket	3
15	67455A	Shaft, Arbor	1
16	65305A	Key, 1/4 Sq. x 1 1/4	1
17	51172A	Bearing	1
18	61641A	Carrier, Bearing	1
19	86110A	Screw 3/8 -16 x 1 Socket	4
20	51171A	Bearing	1
21	57844A	Ring, Retaining	1
22	66219A	Pulley, Contact Wheel	1
23	87029A	Washer 3/4	1
24	81106A	Nut 3/4 - 10 Locking	2
25	80005A	Bolt, Swing 3/8 - 16	1
26	58691A	Spring, Sanding Pressure	1
27	60157B	Arm, Truck Lift R.H.	1
28	58689A	Spring, Truck Level	1
29	920248	Nut 3/8 -16 ESNA Light	1
30	68743B	Arm, Truck L.H.	1
31	81209A	Nut 1/2 -13 Flange	2
32	67868A	Spacer, Truck Wheel	2
35	980669	Lockwasher 1/2	2
36	81305A	Nut 9/16-12 Jam	2
37	60156A	Axle, Truck	1
39	85729A	Screw 9/16 - 12 x 2	2
40	747304	Ring, Retaining	4
41	902606	Bearing	4
42	980018	Washer, Nylon	1

Ref No.	Part No	Description	Qty
44	67862A	Spacer	2
45	80020A	Bolt, Shoulder 1/4 x 1	1
46	920284	Nut 1/4 -20 ESNA	2
47	14704A	Guide Roller Assembly	2
48	920296	Nut 10-24 ESNA	3
49	815051	Knob, Release Lever	1
50	64467A	Lever, Tension Release	1
51	39856B	Contact Wheel	1
52	87030A	Retainer ,Contact Wheel	1
53	65306A	Key 1/4 Sq. x 3/4	1
54*	19610A	Wheel Assembly	2
55	38402A	Shield, Dust	1
56	Page 12	Abrasive	1
57	81501A	Palnut 1/4	4
58	65705A	Link , Connecting	1
59	65616B	Lever, Draw	1
60	961014	Bolt, Shoulder 1/4 x 3/8	2
61	68276A	Support, Tension Asm. (includes 63 & 67)	1
62	797301	Ring, Retaining	1
63		Bearing, Sleeve (incl. w/61)	(1)
64	66537A	Pin 1/4 O.D. x 2	1
65	920110	Nut 5/16-18 ESNA	1
66	61803A	Cam	1
67		Bearing, Sleeve (incl. w/61)	(1)
68	53410A	Spring, Abrasive	1
69	50719A	Boot	1
70	87502A	Washer, Bowed 1/4	6
71	980646	Washer 1/4	2
72	87503A	Washer, Belleville 1/4	2
73	80018A	Bolt, Shoulder 1/4 x 1/4	2
74		Nut 1/4 - 20 (incl. w/47)	(2)
75		Roller ,Guide (incl. w/47)	(2)
76		Bearing (incl. w/47)	(4)
79		Shaft (incl. w/47)	(2)
80	81303A	Nut 1/4-28 Jam	1
81	60150A	Adjuster, Tracking	1
82	61654B	Carriage, Tension Roller	1
83	65704A	Link, Draw	2
84**	19017A	Tension Asm. (C-12) Complete	1
85	87000A	Washer, Flat	3

NOTE: **#84, not illustrated

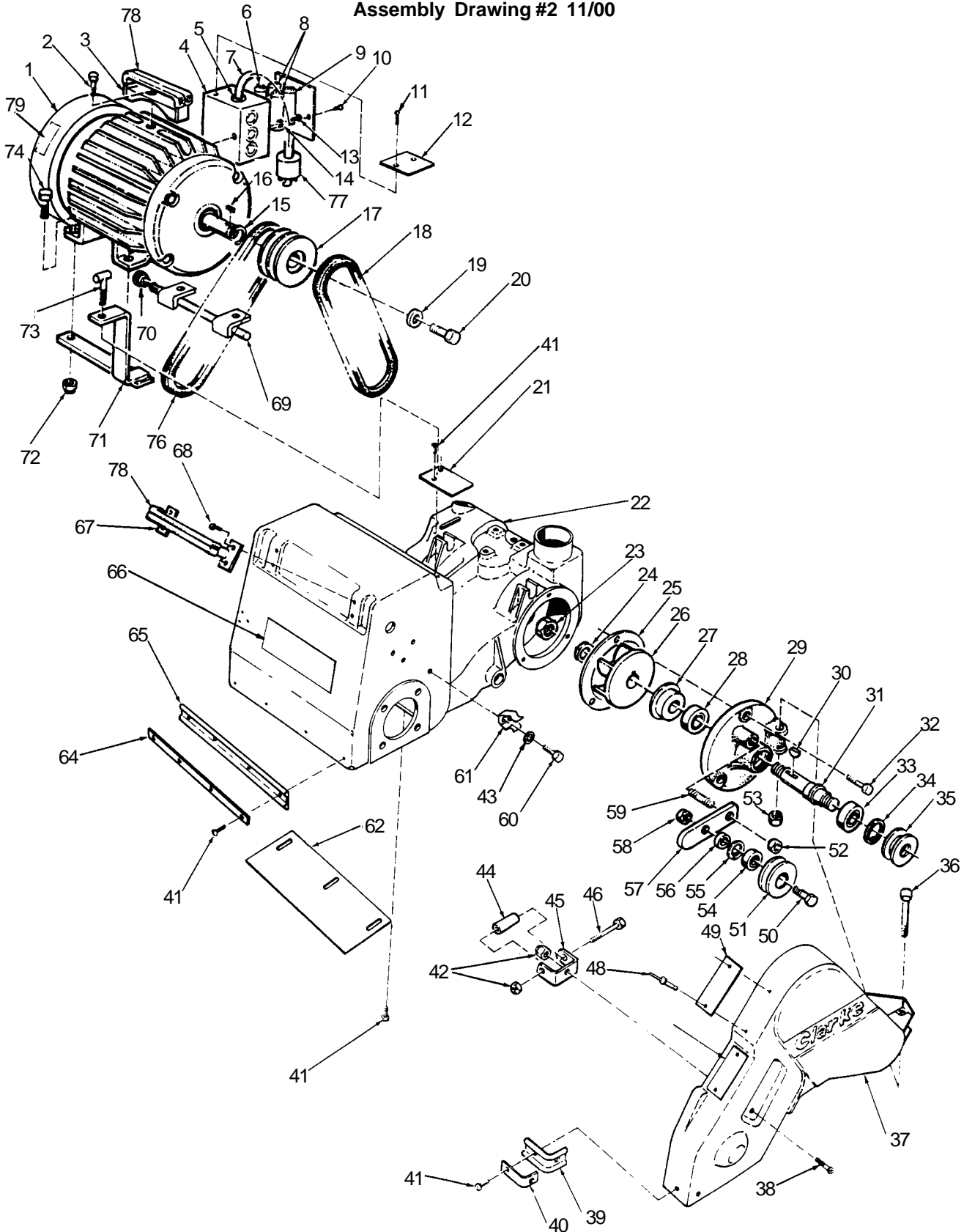
NOTE: *54A - Part # 64805A - Wheel, Steel (optional)- qty 2

NOTE: ◆ indicates a change has taken place since last publication of this manual.

IVIE Enterprises

www.ivie-ent.com Ph:(918)254-5161 or (888)262-5161 Fax:(918)250-4807

AMERICAN SANDERSTECHNOLOGY
American Classic Sander 12
Assembly Drawing #2 11/00



IVIE Enterprises

www.ivie-ent.com Ph:(918)254-5161 or (888)262-5161 Fax:(918)250-4807

AMERICAN SANDERS TECHNOLOGY
American Classic Sander 12
Assembly Parts List #2 11/00

Ref No	Part No.	Description	Qty
1	44644A	Motor 4hp 230v / 60 hz (incl. 6, 8, 9, 13 & 16)	1
	44646A	Motor 240v/50hz 2.2kW (incl. 6, 8, 9, 13, & 16)	1
2	962870	Screw 3/8 - 16 x 1 Button	1
3	64460A	Handle, Motor Lifting	1
4	13900A	Enclosure, Asm. (incl. 10, 11, & 12)	1
5	191775	Strain, Relief	1
6	47378A	Switch, Start (incl. w/1)	(1)
7	41945A	Cord, Assembly (incl. 77)	1
8	41305A	Capacitor, Electrolytic (included w/1)	(2)
9	41304A	Capacitor, Oil (incl. w/1)	(1)
10	962350	Screw 10 - 32 x 1/2 (incl. w/4)	(2)
11	930087	Rivet (incl. w/4)	(2)
12	74044A	Plate, Fire Hazard (incl. w/4)	(1)
13	85700A	Screw 1/4 - 20 x 1 (incl. w/1)	(2)
14	980614	Washer	2
15	57712A	Ring, Retaining	1
16	915098	Key 1/4 Sq. x 1 1/2 (incl. w/1)	(1)
17	66220A	Pulley, Motor	1
18	51039A	Belt-V, Fan	1
19	87034A	Retainer, Motor Pulley	1
20	962288	Screw 3/8 - 16 x 1	1
21	61411A	Pad, T-Screw	1
22	25902A◆	Frame, Main	1
23	81202A	Nut 7/16-14 LH Hex	1
24	87002A	Washer	1
25	34262A	Gasket, Fan Cover	3
26	23301A	Fan	1
27	61602A	Collar	1
28	902567	Bearing	1
29	22126C◆	Cover, Fan	1
30	65302A	Key, Woodruff	1
31	67445A	Shaft, Fan	1
32	85813A	Screw 5/16 - 18 x 1 Hex	3
33	51111A	Bearing	1
34	877304	Ring, Retaining	1
35	66117A	Pulley, Fan (4L)	1
	66169A	Pulley, Fan (3L)	1
36	80025A	Bolt, Shoulder 3/8 x 2 1/2	1
37	23806A◆	Guard, Asm. (incl. 47,48,49)	1
38	85700A	Screw 1/4-20 x 1 Hex	1

Ref No	Part No.	Description	Qty
39	31221A	Bumper, Side	1
40	66932A	Retainer, Bumper - Side	1
41	85517A	Screw 10 - 24 x 1/2	11
42	920284	Nut 1/4 - 20 ESNA	2
43	980657	Lockwasher 1/4	1
44	68393A	Tube, Latch	1
45	60623A	Bracket, Latch	1
46	85702A	Screw 1/4 - 20 x 1 3/4	1
47	74043A	Plate, Danger, Electrocution	(1)
48	930093	Rivet (incl. w/37)	(4)
49	74045A	Plate, Danger, Moving Parts	(1)
50	962216	Screw 3/8 - 16 x 1 1/4	1
51	66145A	Pulley, Idler (4L)	1
	66170A	Pulley, Idler (3L)	1
52	81108A	Nut 3/8 - 24 ESNA	1
53	920110	Nut 5/16 - 18 ESNA	1
54	902619	Bearing	1
55	57801A	Ring, Retaining	1
56	67834A	Spacer	1
57	60414A	Arm, Idler	1
58	171101	Nut 3/8 - 16 Whizlock	1
59	68010A	Stud 3/8-16 x 3/8-24	1
60	86111A	Screw 1/4 - 20 x 1/2, Socket	1
61	61600A	Clip	1
62	67611A	Shoe, Dust	1
63	170674	Nut, Wire (not illustrated)	2
64	66942A	Retainer, Bumper - Front	1
65	31222A	Bumper, Front	1
66	70046A	Plate, Classic 12	1
67	64455A	Handle, Lift	1
68	87700A	Screw 1/4 - 20 x 1/2, Button	4
69	65946A	Mount, Motor-Rear	1
70	65304A	Knob, Motor Mounting	1
71	65947A	Mount, Motor-Front	1
72	920342	Nut 3/8 - 16 ESNA	4
73	68394A	T-Screw	1
74	85703A	Screw 3/8 - 16 x 1 1/2 Hex	4
75	77234A	Label	1
76	51019A	Belt-V, Contact Wheel	1
77	45604A	Plug (incl. w/7)	(1)
78	32357A	Cover, Handle	4
79	77234A	Label, Lifting Warning	1

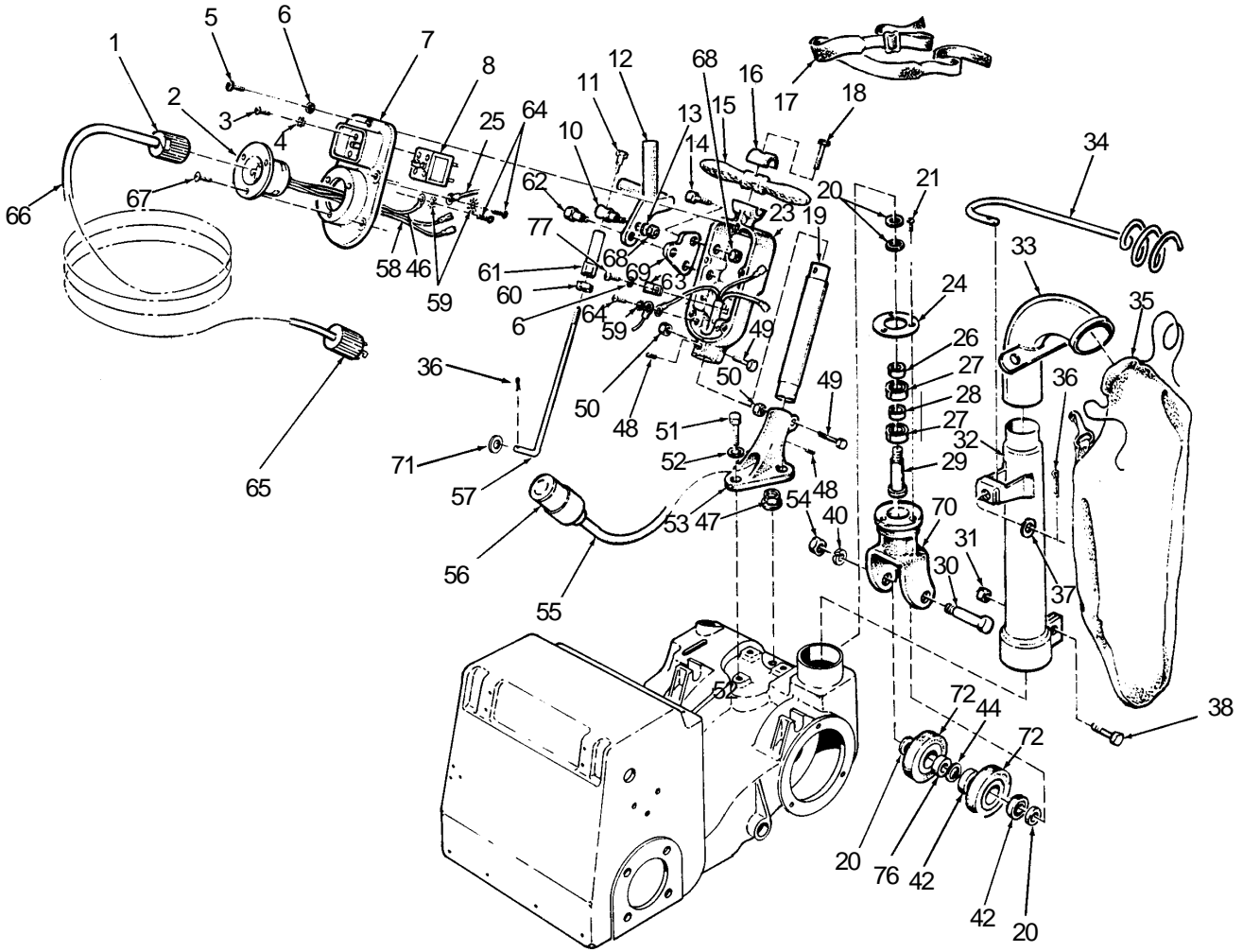
NOTE: ◆ indicates a change has taken place since last publication of this manual.

Motor Parts Not Illustrated

Part #	Description	Qty.
50564A	End Bell	1
52768A	Front Cover	1
53999A	Fan	1
52770A	Fan Cover	1

Part #	Description	Qty.
51188A	Bearing Front	1
902547	Bearing Rear	1
40317A	Armature Assembly	1
53036A	Fan Shroud	1

AMERICAN SANDERSTECHNOLOGY
American Classic Sander 12
Assembly Drawing #3 11/00



IVIE Enterprises

www.ivie-ent.com Ph:(918)254-5161 or (888)262-5161 Fax:(918)250-4807

AMERICANSANDERSTECHNOLOGY
American Classic Sander 12
Assembly Parts List #3 11/00

Ref. No	Part No.	Description	Qty
1	41706A	Connector Locking (included w/66)	(1)
2	43501A	Inlet, Male Flanged	1
3	85313C	Screw 6-32x ³ / ₈ PN HD	4
4	980607	#1106ShakeproofWsh.	4
5	84808A	Screw 10 - 24 x ³ / ₄	5
6	980650	Lock Washer ³ / ₁₆	7
7	22127C◆	Cover, Switch	1
8	41411A	Circuit Breaker	1
10	66151A	Pivot, Control Rod	1
11	80021A	Bolt, Shoulder ³ / ₈ x ⁵ / ₈	1
12	25601A	Lever, Control	1
13	980646	Washer ¹ / ₄	1
14	962481	Screw ¹ / ₄ -20 x 1 ¹ / ₄ Hex	2
15	64405A	Handle, Steering	1
16	21904C◆	Clamp	1
17	60724A	Belt, Operators	1
18	85818A	Screw ⁵ / ₁₆ - 18 x 2 ¹ / ₂	1
19	66116C◆	Pipe, Handle	1
20	87003A	Washer	4
21	962823	Screw ¹ / ₄ - 20 x ¹ / ₂	3
23	20704C◆	Box, Switch	1
24	66913A	Retainer, Bearing	1
25	48901A	Wire, Asm., (Green)	1
26	67812A	Spacer	1
27	51112A	Bearing	2
28	67821A	Spacer	1
29	60715B	Bolt, Pivot	1
30	60101A	Axle	1
31	920342	Nut ³ / ₈ - 16 ESNA	1
32	66150A	Tube, Dust	1
33	62800A	Elbow	1
34	60401A	Arm, Cable	1
35	50954A	Bag Assembly	1
36	925036	Pin, Cotter	2
37	980651	Washer ⁵ / ₁₆	1
38	962288	Screw ³ / ₈ x 1	1
40	87101A	Lockwasher ¹ / ₂	1

Ref. No	Part No.	Description	Qty
42	902606	Bearing	4
44	747304	Ring, Retaining	2
46	48900A	Wire, Asm., (Green)	1
47	81209A	Nut ¹ / ₂ - 13 Heavy Flg.	1
48	86200A	Screw ³ / ₈ - 16 x ⁵ / ₈	2
49	85816A	Screw ⁵ / ₁₆ - 18 x 1 ³ / ₄	2
50	920110	Nut ⁵ / ₁₆ - 18 ESNA	2
51	962216	Screw ³ / ₈ - 16 x 1 ¹ / ₄	3
52	980638	Lock Washer ³ / ₈	3
53	21105C◆	Mount, Handle	1
54	920196	Nut ¹ / ₂ - 13 Jam	1
55	41917A	Cord, Assembly (includes 56)	1
56	41707A	Connector, Locking (included w/55)	(1)
57	67153A	Rod, Control	1
58	49023A	Wire Assembly (Blk.)	2
59	980699	Washer, Star #10	3
60	920148	Nut ³ / ₈ - 16 Jam	1
61	67129A	Adjuster, Control Rod	1
62	80022A	Bolt, Shoulder ¹ / ₂ x ⁵ / ₈	1
63**	51074A	Clamp, Cord	2
64	962015	Screw 10 - 24 x ³ / ₈	3
65	45608A	Plug, Locking (included w/42201A)	(1)
66	42201A◆	Cord Set-230V/60Hz (includes 1, & 65)	1
	42302A◆	Cord Asm. 230V/50 Hz (includes 1)	1
67	962065	Screw 8 - 32 x ¹ / ₄ Pan	3
68	920284	Nut ¹ / ₄ - 20 ESNA	3
69	66694A	Plate, Control Lever	1
70	29403C◆	Yoke, Wheel	1
71	980645	Washer ³ / ₈	1
72	19611A	Wheel Asm.	2
73*	59810A	Wrench ⁷ / ₁₆ x ⁹ / ₁₆	2
74•	38109A	Seal Dust Pipe	1
75*	77039B	Label, Made in USA	1
76	67810A	Spacer	1
77**	85517A	Screw, 10-24 x ¹ / ₂	2

NOTE: 72A - Part # 64806A - Wheel, Steel (optional) - Qty. 2

***NOTE:** 73, 74, 75 Not Illustrated

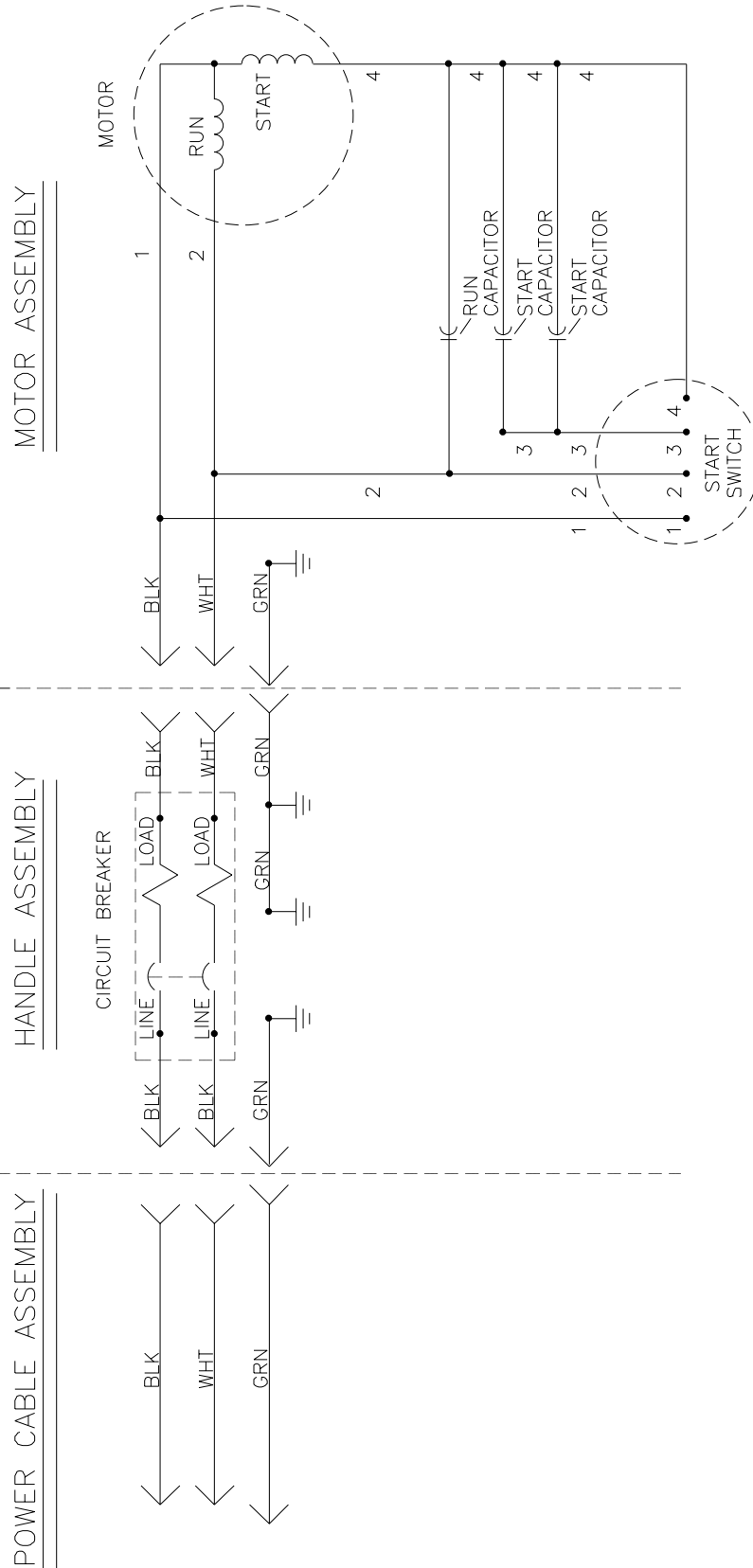
****NOTE:** #63 & 77shown with only one

NOTE: ◆ indicates a change has taken place since last publication of this manual.

IVIE Enterprises

www.ivie-ent.com Ph:(918)254-5161 or (888)262-5161 Fax:(918)250-4807

AMERICAN SANDERSTECHNOLOGY
American Classic Sander 12
Wiring Diagram 9/92



IVIE Enterprises