
IVIE Enterprises

www.ivie-ent.com

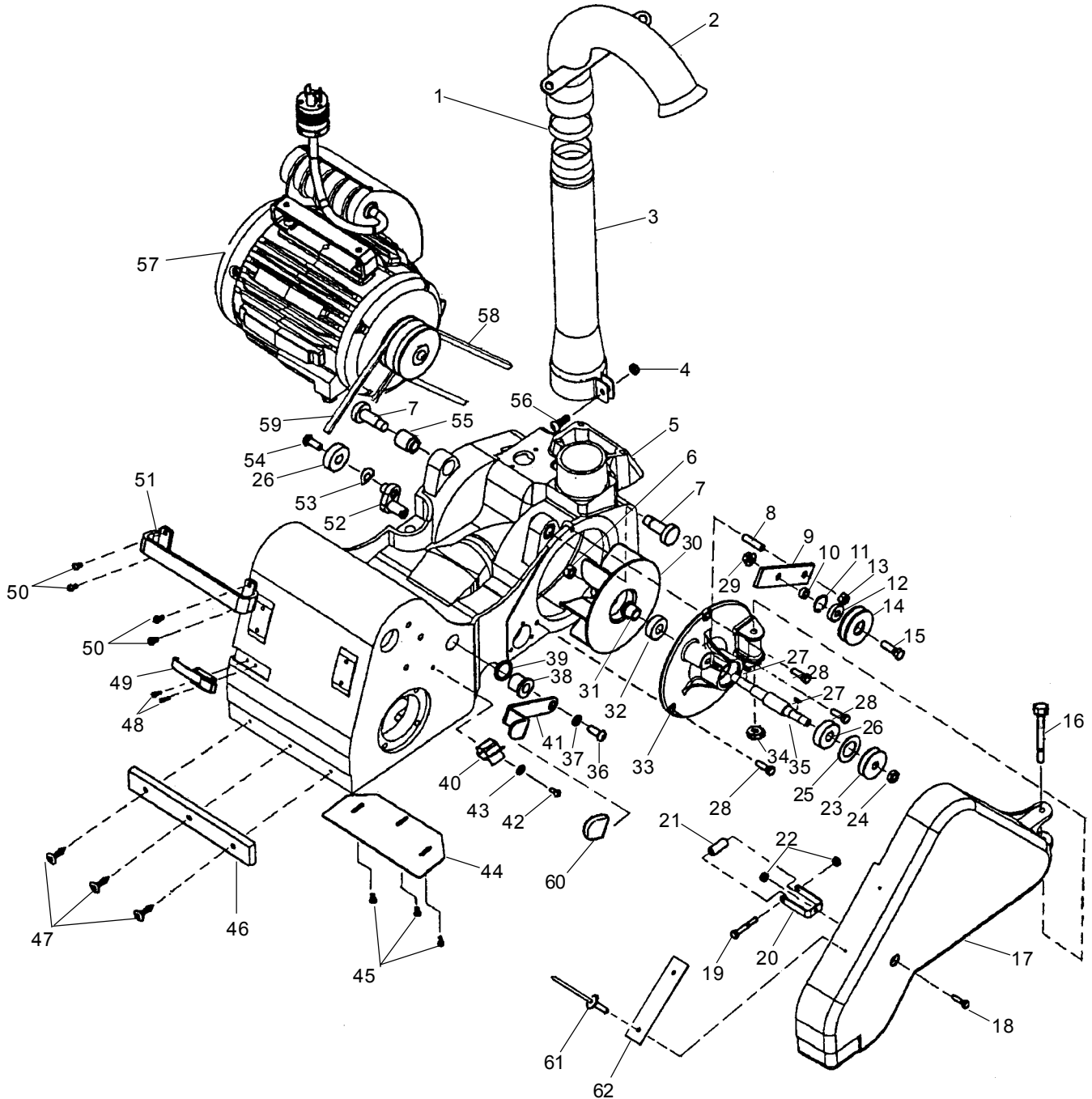
Ph:(918)254-5161 or (888)262-5161 Fax:(918)250-4807



FloorCrafter
Belt Sander
Section II
Parts and Service Manual

(70255A)

CLARKE-AMERICAN SANDERS TECHNOLOGY
FloorCrafter
Main Assembly Drawing #1 6/01



IVIE Enterprises

www.ivie-ent.com

Ph:(918)254-5161 or (888)262-5161 Fax:(918)250-4807

CLARKE-AMERICANSANDERS TECHNOLOGY
FloorCrafter Belt Sander
Main Assembly Parts List #1 10/01

Ref No.	Part No	Description	Qty
1	60342A	Seal, Felt	1
2	10142A	Asm., Dust Tube Elbow	1
3	10144A	Asm., Tube, Dust	1
4	920342	Nut, $\frac{3}{8}$ -16 Lock	1
5	20022A	Mainframe	1
6	81202A	Nut, $\frac{7}{16}$ -14 L.H.	1
7	60476A	Pin, Motor Mount	2
8	68010A	Stud, Idler Arm	1
9	60414A	Arm, Idler	1
10	67875A	Spacer	1
11	57801A	Ring, Retaining	1
12	902619	Bearing	1
13	81108A	Nut, Lock $\frac{3}{8}$ -24	1
14	66170A	Pulley, Idler	1
15	962216	Screw, $\frac{3}{8}$ -16 x $1\frac{1}{4}$	1
16	80017A	Bolt, $\frac{3}{8}$ x $2\frac{3}{4}$	1
17	20023A	Guard, Belt	1
18	80131A	Screw, Carriage, $\frac{1}{4}$ -20 x $\frac{3}{4}$	1
19	85702A	Screw, $\frac{1}{4}$ -20 x $\frac{3}{4}$	1
20	60384A	Bracket, Latch	1
21	68393A	Tube, Latch	1
22	81102A	Nut, $\frac{1}{4}$ -20 ESNA	2
23	60366A	Pulley, Fan	1
24	920196	Nut	2
25	877304	Ring, Retaining, Internal	1
26	51111A	Bearing, Ball	2
27	915561	Key	2
28	85812A	Screw, $\frac{5}{16}$ -18 x $\frac{7}{8}$	3
29	171101	Nut, $\frac{3}{8}$ -16 Flange	1
30	23301A	Fan	1
31	61602A	Collar	1

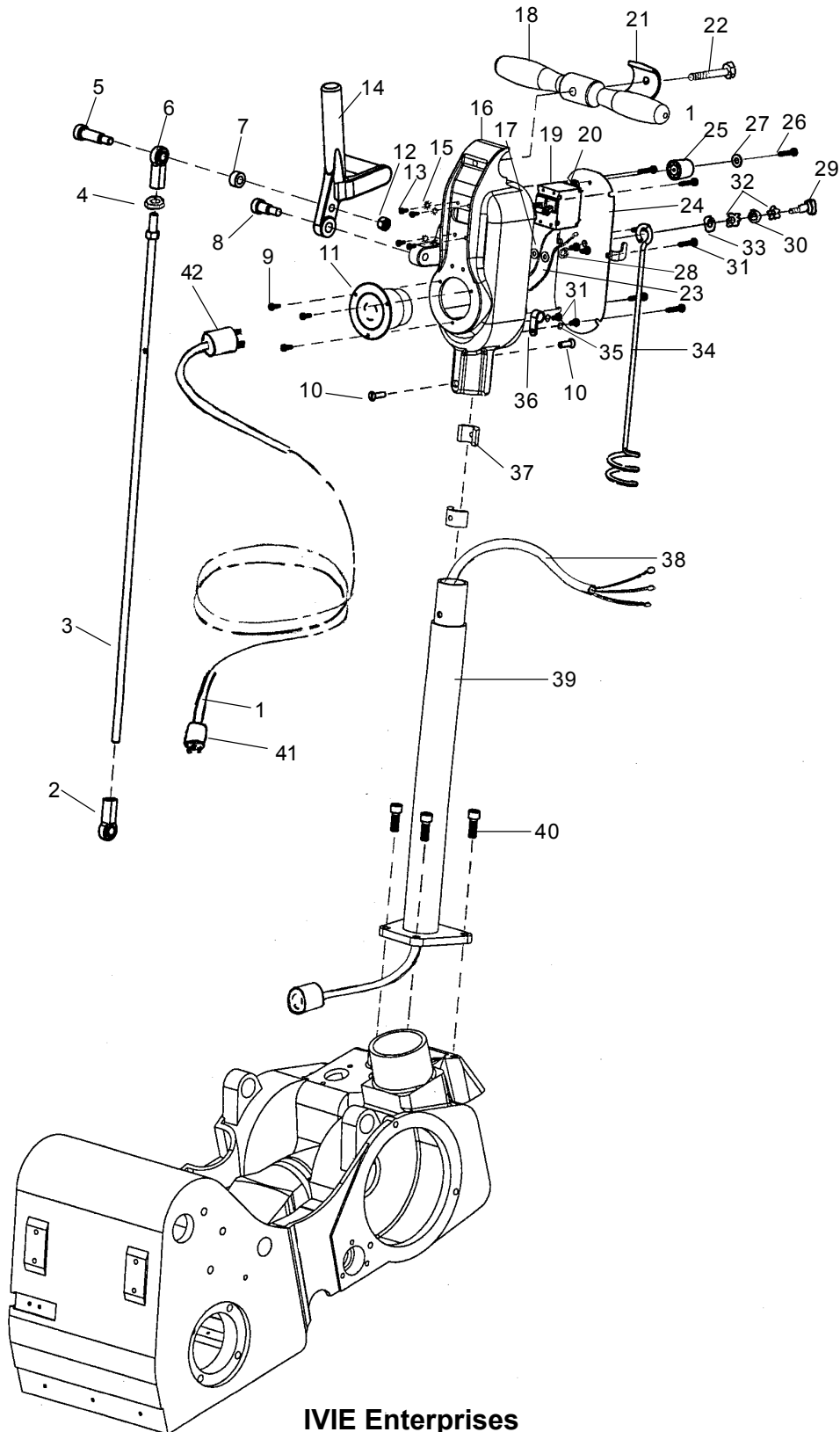
Ref No.	Part No	Description	Qty
32◆	902567	Beaing, Ball	1
33	20026A	Cover, Fan	1
34	920110	Nut, $\frac{5}{16}$ -18	1
35	60370A	Shaft, Fan	1
36	962870	Screw, $\frac{3}{8}$ -16 x $\frac{7}{8}$ Button	1
37	87000A	Washer	1
38	51215A	Bearing, flange	1
39	87052A	Washer	2
40	61600A	Clip-dust	1
41	60368A	Lever, Belt Tensioning	1
42	86111A	Screw, $\frac{1}{4}$ -20 x $\frac{1}{2}$	1
43	980657	Washer, Lk $\frac{1}{4}$ Std	1
44	60397A	Cover, Dust Throat	1
45	85517A	Screw, 10-24 x $\frac{1}{2}$	13
46	60392A	Bumper, Front	1
47	51219A	Rivet, Nylon	3
48	962727	Screw, 8-32 x $\frac{1}{2}$	2
49	55717A	Latch, Draw	1
50	87700A	Screw, $\frac{1}{4}$ -20 x $\frac{1}{2}$	5
51	60386A	Handle, Mainframe	1
52	51093A	Cam, Belt Release	1
53	60482A	Spacer	1
54	962565	Screw	1
55	60475A	Bolt, Adjustment	2
56	962216	Screw, $\frac{3}{8}$ -16 x $1\frac{1}{4}$	1
57◆	Ref.	Assembly, Motor	1
58	51039A	Belt, Fan	1
59	51024A	Belt Drive	1
60	52420A	Cover, Lever	1
61	930093	Rivet, $\frac{1}{8}$ x $\frac{5}{16}$	2
62	74045A	Plate, Danger	1

NOTE: ◆ indicates a change has been made since the last publication of this manual.

IVIE Enterprises

www.ivie-ent.com Ph:(918)254-5161 or (888)262-5161 Fax:(918)250-4807

CLARKE-AMERICAN SANDERS TECHNOLOGY
 FloorCrafter Belt Sander
 Handle Control Assembly Drawing #2 10/01



IVIE Enterprises

www.ivie-ent.com

Ph:(918)254-5161 or (888)262-5161 Fax:(918)250-4807

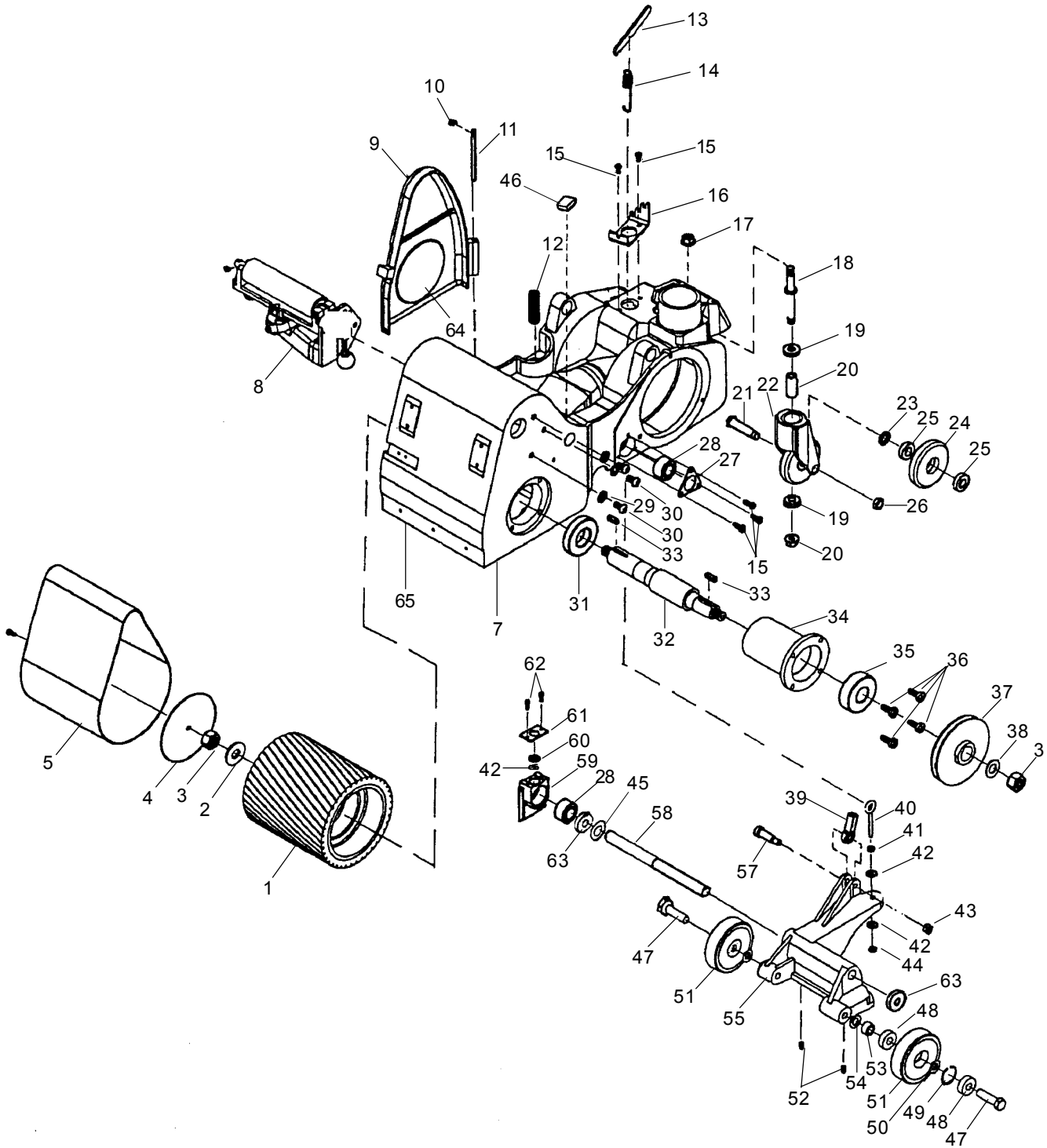
CLARKE-AMERICAN SANDERSTECHNOLOGY
FloorCrafter Belt Sander
Handle Control Assembly Parts List #2 10/01

Ref No.	Part No	Description	Qty
1	42200A	Cord Set	1
◆	40010A	Cable Asm. AU2-15P	1
2	53538A	Rod, End $\frac{3}{8}$ -24 L.H.	1
3	60387A	Rod, Control	1
4	920204	Nut, $\frac{3}{8}$ -24 Hex Jam	1
5	80035B	Bolt, Shoulder $\frac{3}{8}$ x $1\frac{1}{4}$	1
6	53537A	Rod, End, $\frac{3}{8}$ -24 R.H.	1
7	898203	Spacer, Rod End	1
8◆	80155A	Bolt, Shoulder $\frac{1}{2}$ x $\frac{5}{8}$	1
9	962727	Screw, 8-32 x $\frac{1}{2}$	3
10	80132A	Screw, $\frac{1}{4}$ -20 x $\frac{3}{4}$	2
11	43501A	Inlet, Flanged	1
12	920110	Nut, Lk $\frac{5}{16}$ -18	1
13	85313C	Screw, 6-32 x $\frac{3}{8}$ Pan Hd	4
14	25601A	Lever, Control	1
15	980607	Washer, #6 Tooth Pltd.	4
16◆	20016A	Control Housing	1
17	48900A	Wire Assembly	1
18	64405A	Handle, Steering	1
19	41411A	Circuit Breaker, 30 Amp	1
20	81109A	Nut, Hex, Elastic, Lock, 8-32	1
21	21904C	Clamp, Steering Handle	1
22	85818A	Screw, $\frac{5}{16}$ -18 x $2\frac{1}{2}$ Hx Hd	1
23	49023A	Wire, Assembly	1
24	10155A	Assy, Cordholder	1
25	51220A	Bumper, Plastic	1
26	85613A	Screw, 8-32 x $\frac{7}{8}$	1
27	980982	Washer, #10 SAE, Flat Hd	1
28	81112A	Nut, Lk., $\frac{5}{16}$ -18	1
29	80026A	Bolt, Shoulder, $\frac{3}{8}$ x $\frac{1}{2}$	1
30	87619A	Washer, Flat, .63 x .38 x .03	1
31	85517A	Screw, 10-24 x $\frac{1}{2}$	10
32	980022	Washer, Wave	2
33	87618A	Washer, Flat	1
34	60372A	Arm, Cord	1
35	980699	Washer	2
36	51074A	Clamp, Cable	2
37	60374A	Clamp, Retainer	2
38	41917A	Cord, Interconnecting	1
39	10145A	Mount, Handle Control	1
40	962288	Screw, $\frac{3}{8}$ -16 x 1	4
41◆	45608A	Plug (for 42200A)	1
	40024A	Plug (for 40010A)	1
42◆	41706A	Connector	1

IVIE Enterprises

www.ivie-ent.com Ph:(918)254-5161 or (888)262-5161 Fax:(918)250-4807

CLARKE-AMERICANSANDERS TECHNOLOGY
FloorCrafter Belt Sander
Contact Wheel & Truck Assembly Drawing #3 10/01



IVIE Enterprises

www.ivie-ent.com

Ph:(918)254-5161 or (888)262-5161 Fax:(918)250-4807

CLARKE-AMERICANSANDERS TECHNOLOGY
FloorCrafter Belt Sander
Contact Wheel & Truck Assembly Parts List #3 10/01

RefNo	Part No.	Description	Qty
1	20015A	Wheel, Contact	1
2	60377A	Retainer, Contact Wheel	1
3	81106A	Nut, Hex, Lock $\frac{3}{4}$ -10	2
4	60376A	Plate, Drum End	1
5	50913A	Belt, Abrasive	1
6	87700A	Screw, $\frac{1}{4}$ -20 x $\frac{1}{2}$	1
7	20022A	Mainframe	1
8◆	10244A	Tensioner Assembly	1
9	20021A	Access, Door	1
10	51211A	E-Ring, .25 Dia.	5
11	60389A	Pin, Hinge	1
12	60380A	Screw, Leveling	1
13	60356A	Lever, Pressure Adj.	1
14	51096A	Spring, Pressure Adj.	1
15	962823	Screw, $\frac{1}{4}$ -20 x $\frac{1}{2}$	5
16	60357A	Bracket, Pressure Adj.	1
17	81209A	Nut, Large Flange	1
18	60352A	Shaft, Yoke	1
19	51279A	Bearing, Ball	2
20	60355A	Spacer, Caster, Bearing	1
21	60353A	Axle, Wheel	1
22	20024A	Yoke, Caster	1
23	87003A	Washer	2
24	19611A	Wheel, Asm., Caster	2
25	51226A	Bearing, Ball	4
26	920196	Nut, $\frac{1}{2}$ -13	2
27	66972A	Retainer, Bearing	1
28	51190A	Bearing, Self Aligning	2
29	980645	Washer, $\frac{3}{8}$ Flat SAE	3
30	962870	Screw, $\frac{3}{8}$ -16 x 1	3
31	51223A	Bearing, Ball	1
32	51052A	Shaft, Arbor	1

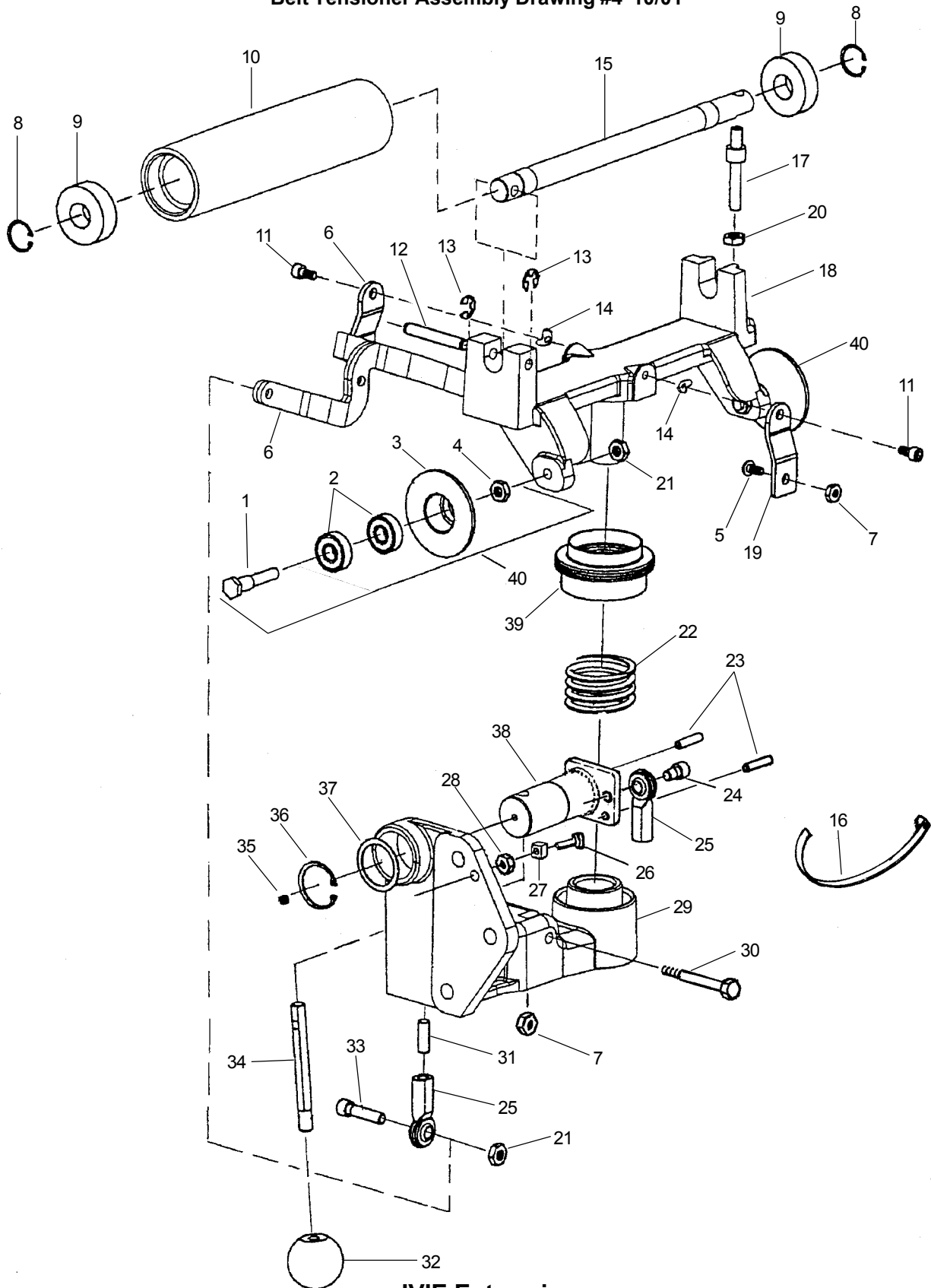
RefNo	Part No.	Description	Qty
33	60394A	Key	2
34	51051A	Bearing, Carrier	1
35	51224A	Bearing, Ball	1
36	86110A	Screw, $\frac{3}{8}$ -16 x 1	4
37	51053A	Pully, Drum	1
38	60378A	Retainer, Motor Pulley	1
39	53538A	Rod, End. $\frac{3}{8}$ - 24	1
40	80119A	Bolt, Eye, $\frac{1}{2}$ ID	1
41	920208	Nut, Hex, $\frac{1}{4}$ -20	1
42	87007A	Washer	3
43	920110	Nut, Lk, $\frac{5}{16}$ -18	1
44	81102A	Nut, $\frac{1}{4}$ -20 ESNA	2
45	980679	Washer	1
46	52241A	Stop Pad	1
47	51340A	Shaft, Truck Wheel	2
48	51225A	Bearing, Ball	4
49	167312	Ring, Retaining	2
50	60481A	Spacer	2
51	50992A	Wheel, Asm., Truck	2
52	962184	Screw, $\frac{1}{4}$ -20 x $\frac{3}{8}$. Set	2
53	67817A	Spacer	1
54	87003A	Washer	2
55	20017A	Control Carriage	1
56	51339A	Spacer, Truck Wheel	1
57	80035B	Bolt, Shoulder, $\frac{3}{8}$ x $1\frac{1}{4}$	2
58	60375A	Axle, Truck	1
59	20019A	Bracket, Leveling	1
60	51203A	E-Ring	1
61	60351A	Plate, Retaining	1
62	962911	Screw, 10-24 x $\frac{1}{2}$	2
63	193944	Grommet, Rubber, $\frac{3}{4}$ x $\frac{7}{16}$	1
64	70236A	Label, Belt Tracking	1
65	30186A	Bumper Front Edge	1

NOTE: ◆ indicates a change has been made since the last publication of this manual.

IVIE Enterprises

www.ivie-ent.com Ph:(918)254-5161 or (888)262-5161 Fax:(918)250-4807

CLARKE-AMERICAN SANDERS TECHNOLOGY
Floorcrafter Belt Sander
Belt Tensioner Assembly Drawing #4 10/01



IVIE Enterprises

www.ivie-ent.com Ph:(918)254-5161 or (888)262-5161 Fax:(918)250-4807

CLARKE-AMERICAN SANDERSTECHNOLOGY
Floorcrafter Belt Sander
Belt Tensioner Assembly Parts List #4 10/01

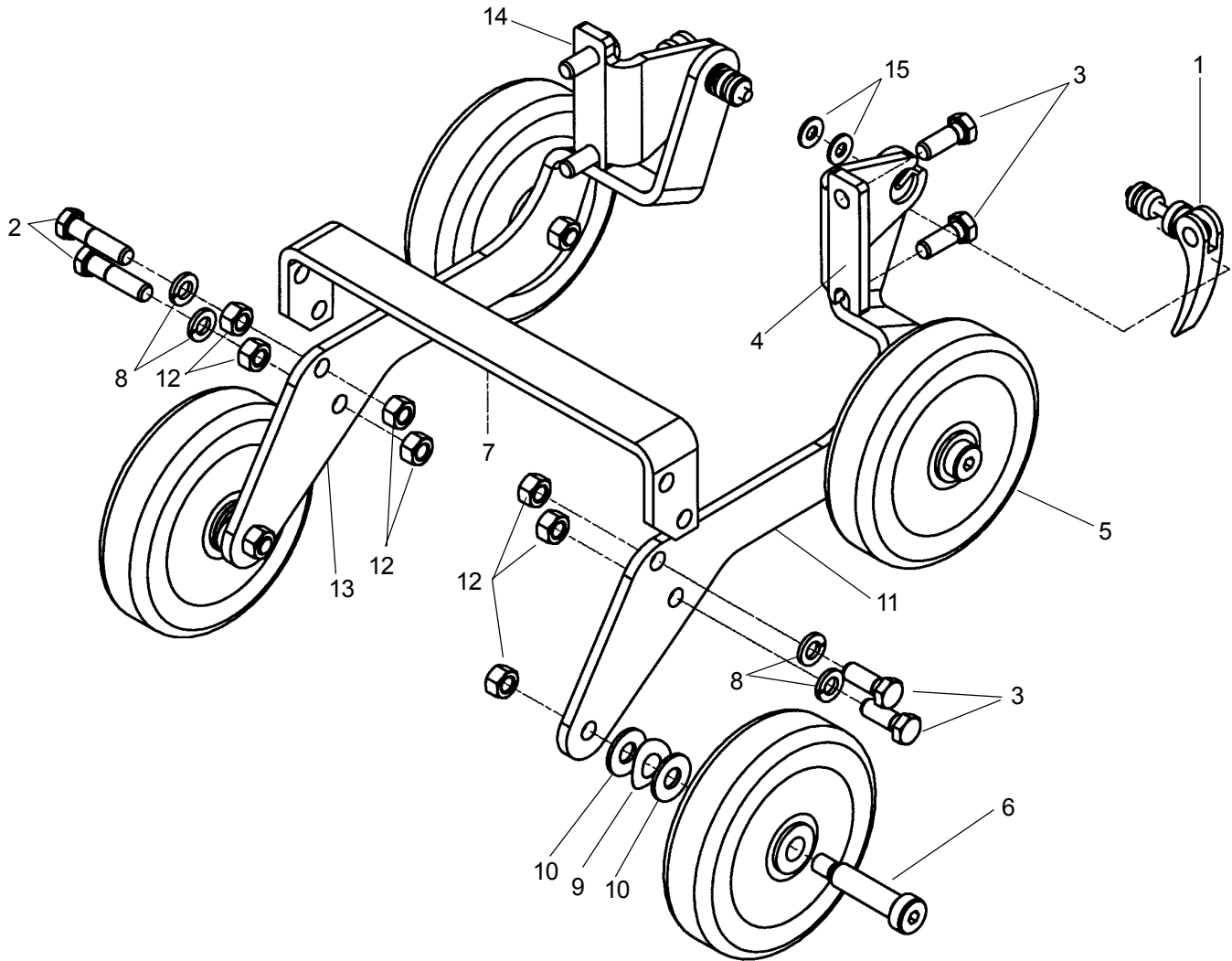
Ref. No	Part No.	Description	Qty
1	Ref.	Shaft, Guide Roller	2
2	Ref.	Bearing	4
3	Ref.	Roller Guide	2
4	920208	Nut, Hex ¼-20	3
5	60391A	Bolt, Shoulder	2
6	60393A	Lever, Draw	1
7◆	920296	Nut, 10-24	3
8	747380	Ring, Roller, Retaining	2
9	902567	Bearing, Ball	3
10	67201B	Roller, Tension	1
11	60395A	Screw, Link, Retaining	2
12	60396A	Pin, Roller Shaft	1
13	51211A	E-Ring	4
14	80140A	Washer	2
15	60383A	Shaft, Tension Roller	1
16	98471A	Wire Tie	1
17	60381A	Adjuster, Tracking	1
18	20018A	Carriage, Tension Roller	1
19	60382A	Link, Draw	2
20	81303A	Nut, Hex Jam, ¼-28	1
21	81217A	Nut, ¼-20	3
22	60379A	Spring	1
23◆	925546	Pin, Roll	2
24	962822	Screw, ¼-20 x 5/8	1
25	51216A	Rod, End, Female	2
26	962508	Screw, ¼-20 x 3/4	1
27	60906A	Block, Wear	1
28	81302A	Nut, Hex, Jam, ¼-20	1
29	20020A	Support, Tensioner	1
30◆	80020A	Bolt, Shoulder	1
31	51221A	Link, Connecting	1
32	51099A	Knob, Release	1
33	80139A	Screw, ¼-20 x 7/8	1
34	60364A	Lever, Tension Relief	1
35	962165	Screw, 10-24 x 3/16	1
36	51277A	Ring, Retaining	1
37	87052A	Washer, Flat, Nylon	2
38	10247A	Cam, Release	1
39	30087A	Boot, Belt Tensioning	1
40	14704A	Guide Roller Assembly	2

NOTE: ◆ indicates a change has been made since the last publication of this manual.

IVIE Enterprises

www.ivie-ent.com Ph:(918)254-5161 or (888)262-5161 Fax:(918)250-4807

CLARKE-AMERICAN SANDERSTECHNOLOGY
FloorCrafter Belt Sander
Dolly Assembly Drawing & Parts List #5 6/01



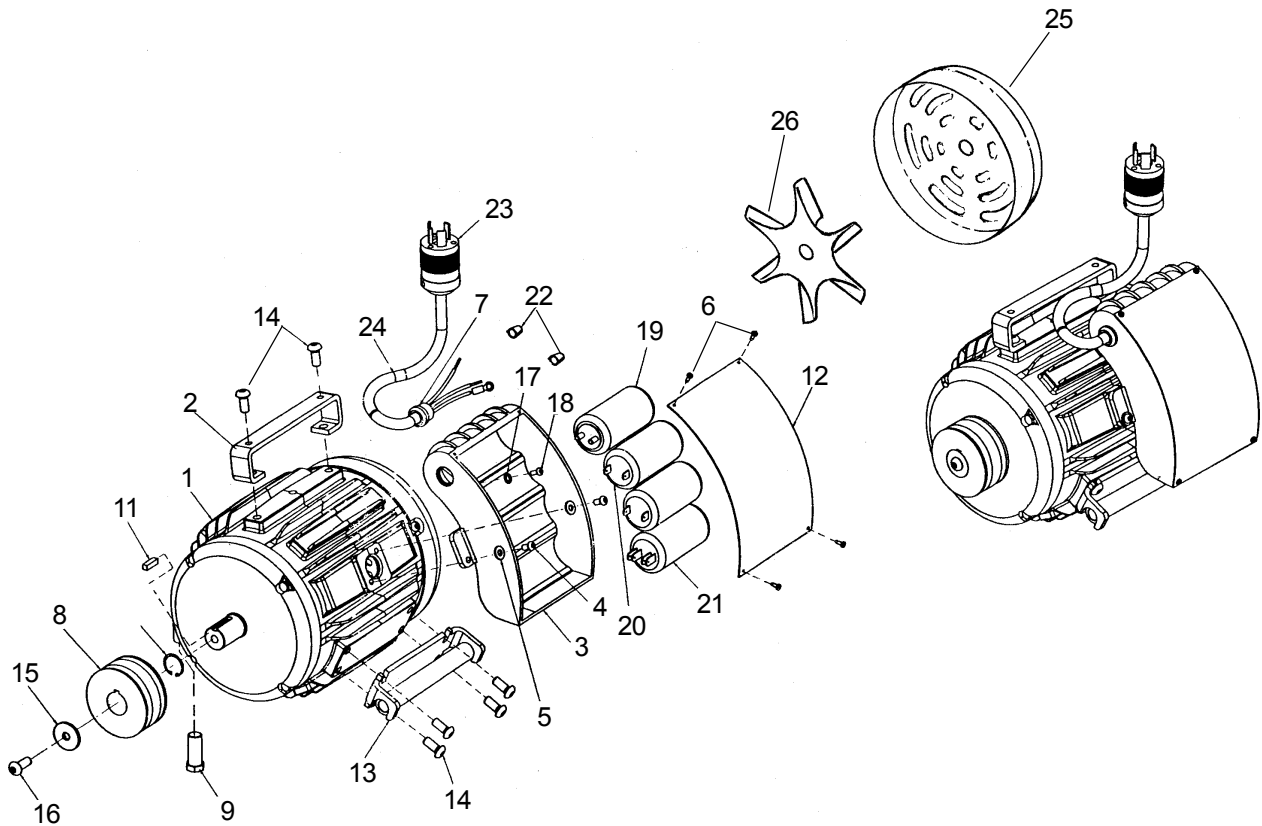
Ref No.	Part No	Description	Qty
1	51372A	Skewer, Clamp	2
2	85703A	Screw, $\frac{3}{8}$ -16 x $1\frac{1}{2}$	2
3	962288	Screw, $\frac{3}{8}$ -16 x 1	11
4	60345A	Bracket, Left Mounting	1
5	39857A	Wheel	4
6	80047A	Bolt, Shoulder $\frac{1}{2}$ Dia x $1\frac{3}{4}$	4
7	60347A	Brace, Dolly	1
8	170883	Washer, $\frac{3}{8}$ Lock	4
9	87627A	Washer, .875 O.D. Bowed	4
10	980648	Washer	8
11	60349A	Bracket, Left	1
12	920260	Nut, Hex $\frac{3}{8}$ -16	8
13	60348A	Bracket, Right	1
14	60346A	Bracket, Right Mounting	1
15	980646	Washer, $\frac{1}{4}$	4

IVIE Enterprises

www.ivie-ent.com

Ph:(918)254-5161 or (888)262-5161 Fax:(918)250-4807

CLARKE-AMERICAN SANDERS TECHNOLOGY
FloorCrafter Belt Sander
Motor Assembly Drawing & Parts List #6 10/01



Ref No.	Part No	Description	Qty
1◆	40151A	Motor, 4 Hp 60 Hz	1
	40531A	Motor, 2.2 kW 50Hz	1
2	60350A	Handle, Motor	1
3	22904A	Enclosure, Motor, Start	1
4	85806A	Screw, 1/4-20 x 1/2	2
5	980657	Washer, LK, 1/4	2
6	962330	Screw, 6-32 x 3/8	4
7	697502	Strain Relief	1
8	60365A	Pulley, Motor	1
9	51222A	Screw, Belt Tensioning	1
10	57712A	Ring, Retaining, Motor Shaft	1
11◆	60394A	Key 1/4 x 1 3/8	1
12	73715A	Plate, Electric/Fire Warning	1
13	10173A	Motor, Rear Mount	1
14	962565	Screw, 3/8 -16 x 3/4	6
15◆	87034A	Retainer, Motor Pulley	1
16◆	962870	Screw, 3/8 -16 x 1	1
17	980603	Washer	1
18	85833A	Screw	1
19	41304A	Capacitor, Run	1
20	41305A	Capacitor, Start	1
21	47378A	Switch, Start	1
22	170674	Connector, Wire Nut	2
23	45604A	Plug, Electric	1
24	41945A	Cord, Motor	1
25◆	52769A	Fan Cover	1
26◆	40546A	Fan	1

NOTE: ◆ indicates a change has been made since the last publication of this manual.

