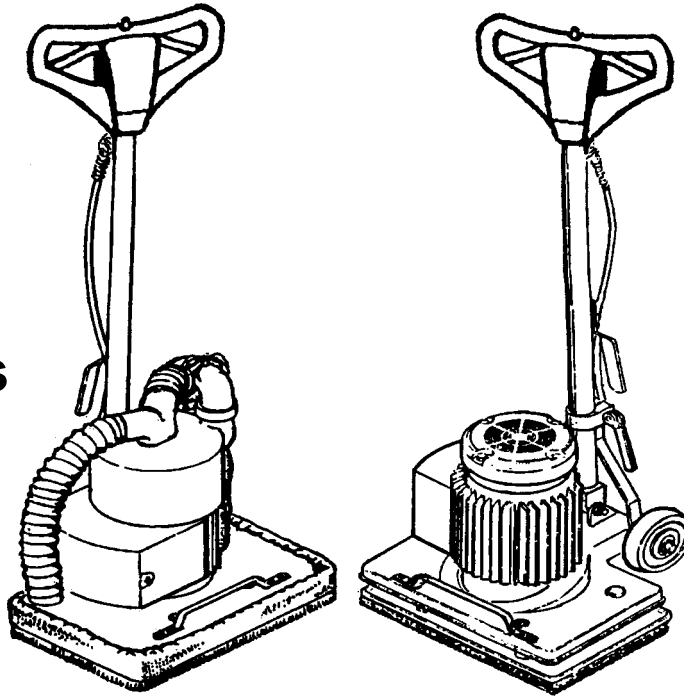




**Operator's
Manual**



**OBS-18
OBS-18DC**

READ THIS BOOK

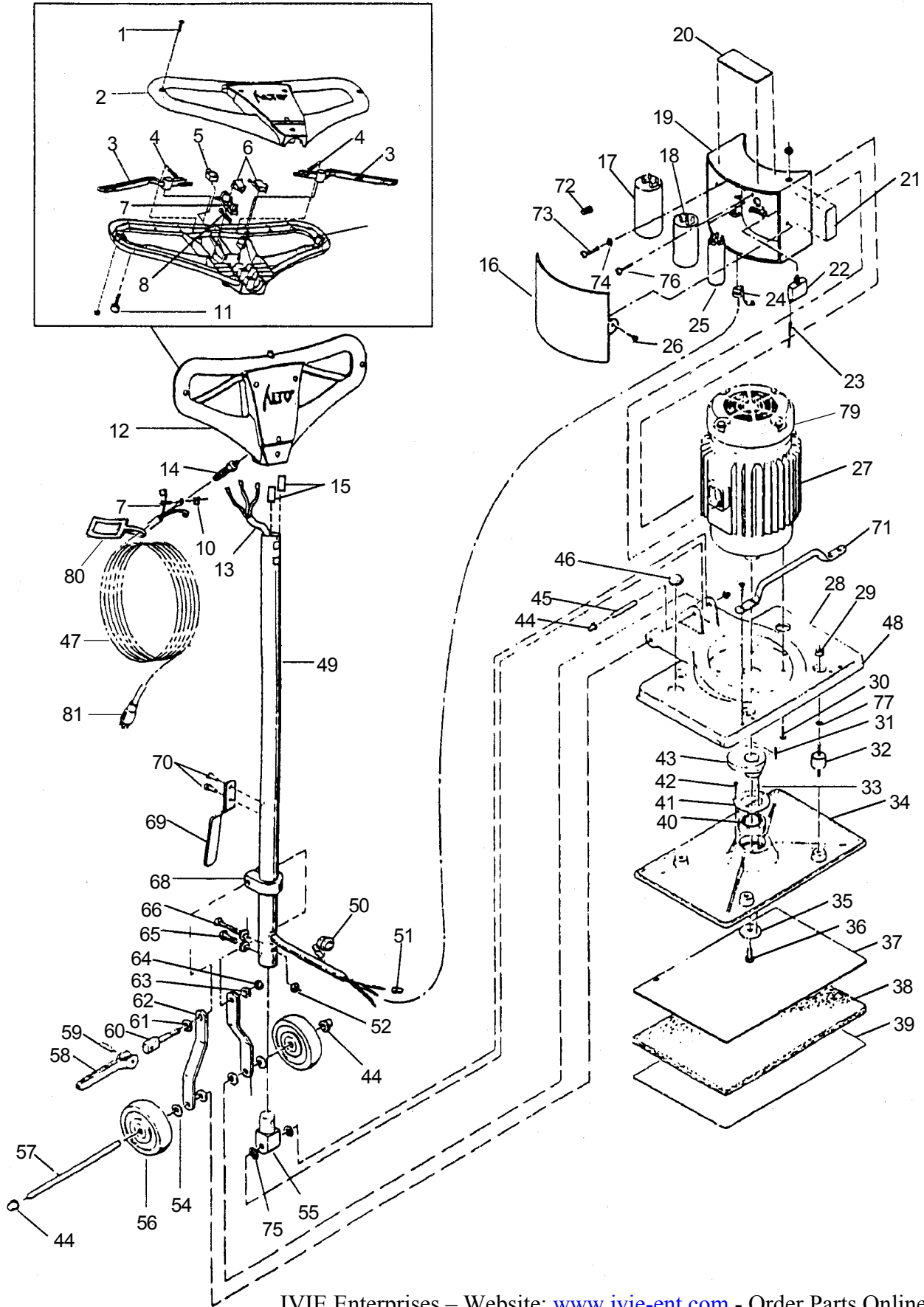
This book has important information for the use and safe operation of this machine. Failure to read this book prior to operating or attempting any service or maintenance procedure to your American Sanders Technology machine could result in injury to you or to other personnel; damage to the machine or to other property could occur as well. You must have training in the operation of this machine before using it. If you cannot read English, have this manual explained fully before attempting to operate this machine.

Si Ud. no pueden leer el Inglés, se hagan explicar este manual completamente antes de tratar el manejo o servicio de esta máquina.

All directions given in this book are as seen from the operator's position at the rear of the machine.

For new books write to: ALTO U.S. Inc., 2100 Highway 265, Springdale, Arkansas 72764.

AMERICAN SANDERSTECHNOLOGY OBS-18
 Assembly Drawing 10/01



IVIE Enterprises – Website: www.ivie-ent.com - Order Parts Online

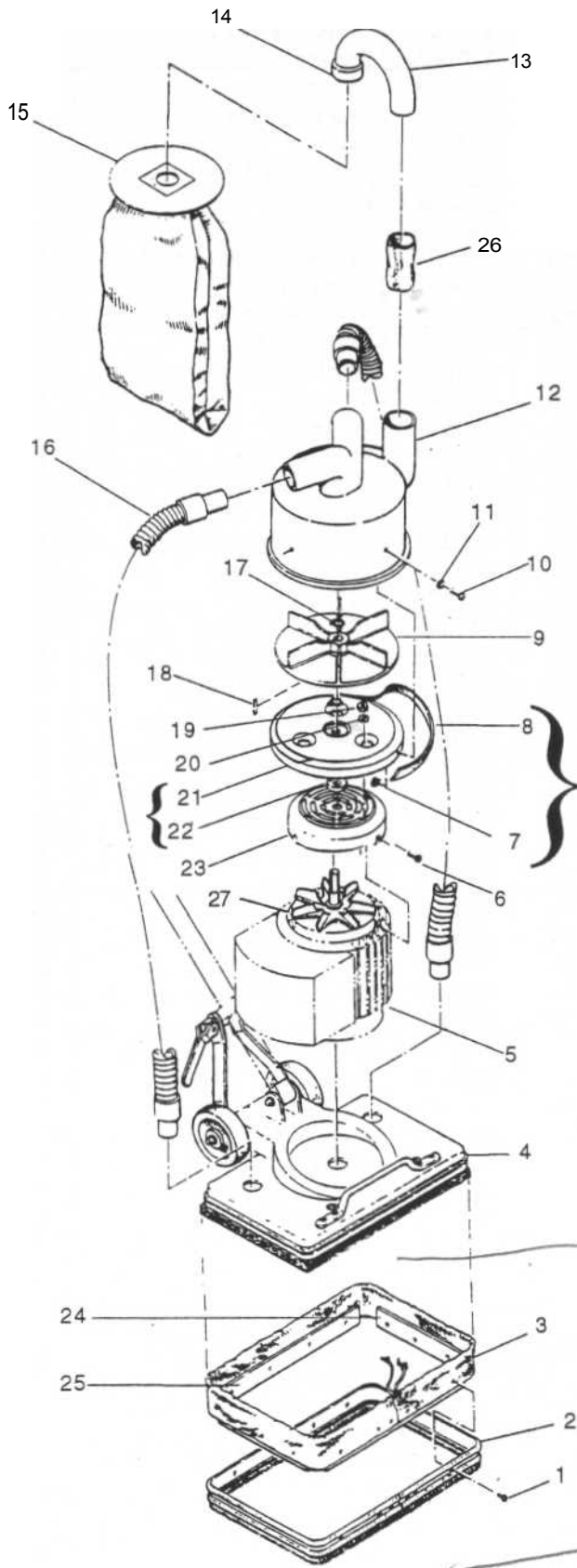
AMERICAN SANDERS TECHNOLOGY OBS-18
Assembly Drawing 10/01

Ref. #	Part No.	Description	Qty
1	85383A	Screw, 10-33 x 3/4	8
2	50779A	Handle, Front	1
3	50798A	Lever, Switch	2
4	50820A	Spring, Extension	2
5	50806A	Button, Interlock	1
6	40109A	Switch	2
7	50799A	Interlock, Main	1
8	50821A	Spring, Compression	1
9	50780A	Handle, Rear	1
10	920722	Nut, 10-32 ESNA	8
11	962957	Screw (CE)	1
12	170686	Lock Nut	1
13	40522A	Cord, Interconnect	1
	10250A	Cord, Interconnect (230V)	1
14	50797A	Strain Relief	1
	58013A	Strain Relief (230V)	1
15	50930A	Cord, Retainer	1
16	62667A	Cover, Enclosure	1
17	41312A	Capacitor, Start (115V) 1	
	41314A	Capacitor, Start (230V) 1	
18	41311A	Capacitor, Run (115V)	1
	41313A	Capacitor, Run (230V)	1
19	22906A	Enclosure, Motor Starter	1
20	77195A	Label, Sanding Warning	1
21	77234A	Label, Heavy Object	1
22	41419A	Circuit Breaker (115V)	1
	41418B	Circuit Breaker(230V)	1
23	47709A	Terminal, 1/4 QD	1
24	51523A	Strain Relief	1
25	40160A	Switch, Start (115V)	1
	47378A	Switch, Start (230V)	1
26	962727	Screw, 8-32 x 1/2	2
27	44667A	Motor (115V)	1
	44668A	Motor (230V)	1
28	25907B	Mainframe	1
29	81220A	Nut, 1/4-20 Srt'd. Flange 4	
30	86110A	Screw 3/8-16 x 1	4
31	915044	Key, 3/16 X 1	1
32	10666A	Kit, Spring Mount	1
33	925589	Pin 1/8 x 1/2 Roll	1
34	20901A	Base, Pad Driver	1
35	66982A	Retainer, Eccentric	1
36	85718A	Screw, 1/2-13 x 3/4	1
37	32519A	Pad Driver	1
38	976550	Pad, White	cnt20

Ref. #	Part No.	Description	Qty
39	-----	Abrasive (sanding only)	Pg. 9
40	50736A	Bearing	1
41	66981A	Retainer, Bearing	1
42	87700A	Screw, 1/4-20 x 1/2	5
43	62814A	Eccentric	1
44	920346	Palnut, 1/2"	4
45	67474A	Shaft, Handle	1
46	306802	Plug	1
47	50991A	Cord, Asm. (Includes #14)	1
	40524A	Cord Asm. (incl. #14) (230V)	1
	40523A	Cord Asm. (incl. #14) (CE)	1
48	31224B	Bumper	1
49	69153B	Tube, Handle	1
50	627561	Bushing, Strain Relief	1
51	170667	Nut, Wire	3
52	920110	Nut, 5/16-18 ESNA	1
53	60448A	Arm, Link LH	1
54	980215	Washer, 1/2 Nylon	4
55	509240	Tongue	1
56	39857A	Wheel, 5"	2
57	60529A	Axle, Wheel	1
58	461404	Cam, Locking	1
59	925592	Pin, 1/4 x 3/4 Roll	1
60	441301	Bolt, Cam Locking	1
61	980349	Washer, Wear	1
62	60447A	Arm, Link RH	1
63	980645	Washer, 3/8 Plain	1
64	920248	Nut, 3/8-16 ESNA	1
65	85812A	Screw, 5/16-18 x 7/8	1
66	85817A	Screw, 5/16-18 x 2	1
67	980652	Washer, 5/16 Lock	2
68	442001	Clamp, Handle	1
69	64325A	Cord Hook	1
70	930005	Rivet	2
71	54930A	Handle, Lift	1
72	170667	Connector	1
73	85833A	Screw, 10-32 x 3/8	1
74	980603	Washer #10 Ext	1
75	980681	Washer, Bowed	2
76	962822	Screw, 1/4-20 x 5/8	2
77	980614	Washer 1/4 EXT	4
78	84233A	Screw, 1/4-20x3/4 FT	4
79	52465A	Fan Cover OBS18	1
80	70175A	Tag, Warning	1
81	911248	Plug	1

IVIE Enterprises – Website: www.ivie-ent.com - Order Parts Online

**Clarke
American Sanders
OBS-18 DC
Assembly Drawing and Parts List 1/03**

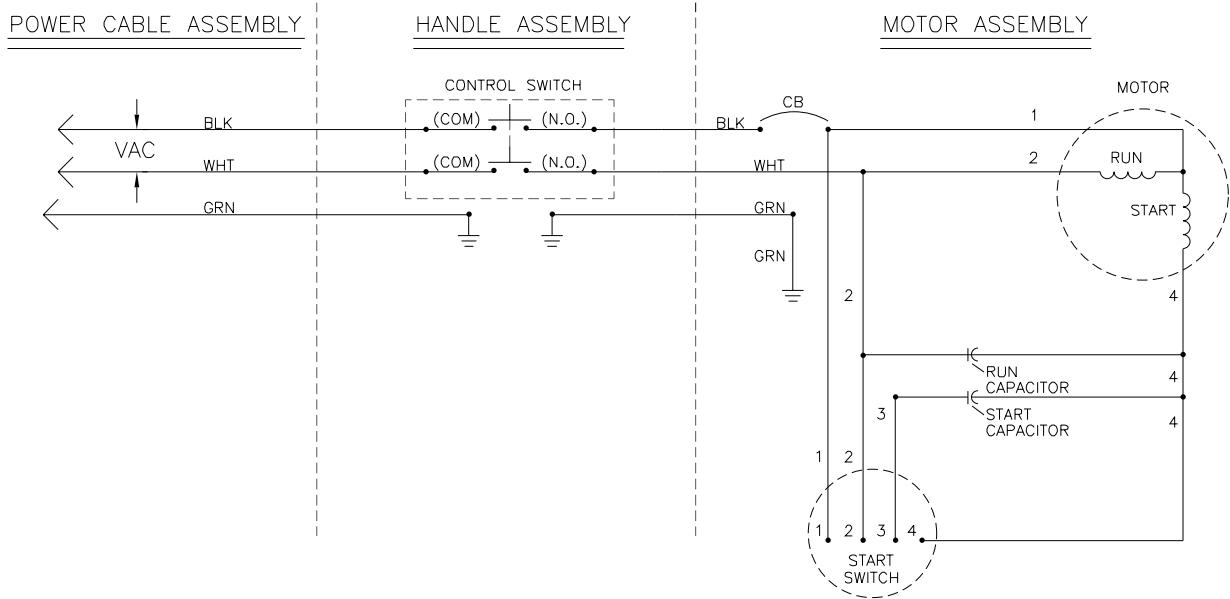


Ref. #	Part No.	Description	Qty
1	930124	Rivet $\frac{3}{16} \times \frac{19}{32}$	16
2	38239A	Skirt, OBS-18	1
3	38015A	Shroud, Housing	1
4	25908B	Mainframe	1
5	44671 A	Motor, 1 HP TFFC 11 5V/60Hz	1
5	44673A	Motor, 1 HP 230V/60Hz	1
6	87700A	Screw, $\frac{1}{4}$ -20 $\times \frac{1}{2}$	3
7	80092A	Insert, Threaded, 10-32UNF	4
8	34287A	Gasket, Cover	1
9	54765A	Fan	1
10	85383A	Screw, 10-32 $\times \frac{3}{4}$	4
11	980982	Washer, #10 Plain	4
12	35242A	Housing, Blower	1
13	53644A	Elbow	1
14	837304	O'Ring	1
15	Ref.	Bag Dust (See Accessories)	
16	30407B	Hose	2
17	797301	Ring, Retaining $\frac{s}{8}$ Ext	2
18	915044	Key, $\frac{3}{16}$ Sq. $\times 1$	1
19	81217A	Nut, $\frac{1}{4}$ -20	3
20	980646	Washer, $\frac{1}{4}$ Plain	3
21	32404A	Cover, Blower Housing	1
22	87617A	Washer, Felt $\frac{1}{2} \times \frac{1}{4} \times \frac{1}{4}$	1
23	50275A	Fan Cover (OBS-18DC)	1
24	68806A	Weight., Skirt $10\frac{3}{4}$	1
25	68807A	Weight, Skirt 17	1
26	38109A	Seal, Dust Pipe	2
27	40545A	Motor Fan	1
28	10478A	Asm., Blower Housing Cover (includes 7, 8, 21 & 22)	1

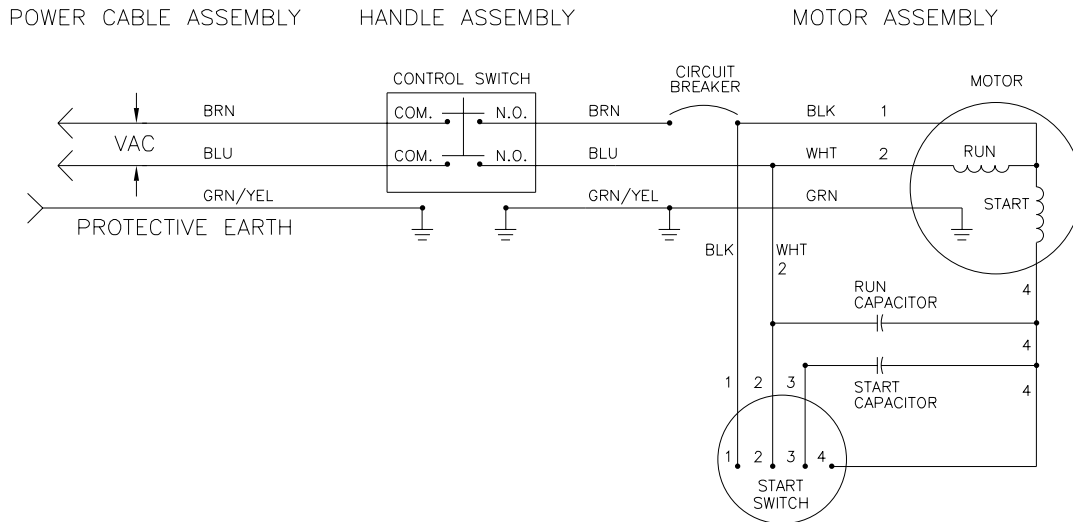
Accessories

70401A	Paper Dust Bag (2 per)
50951A	Cloth Dust Bag
976550	12 x 18 White Pad (20 per)
50712A	Paper Dust Bag w/Bun

AMERICAN SANDERS TECHNOLOGY OBS-18 & 18DC
120v 60 Hz & 230v 50Hz
Electrical Schematic 10/98



AMERICAN SANDERS TECHNOLOGY OBS-18 & 18DC
230v 50 Hz "CE"
Electrical Schematic 10/98



IVIE Enterprises – Website: www.ivie-ent.com - Order Parts Online

Sanding Cuts and Sandpaper

Initial Cut

The purpose of the initial cut is to remove old finish and gross imperfections on the floor surface. Use a course (20-36 grit) grain abrasive.

Final Cuts

The purpose of a finishing cut is to remove the scratches produced during the initial cut. Use a fine (60-80 grit) grain abrasive.

If the surface remains rough after a finishing cut, it may be necessary to use an even finer grain of abrasive (80-100grit). Care should be taken in selecting the grit size of the abrasive. A very fine grain will close the pores on a wood floor making admission of a stain difficult.

If glazing or burning should occur the abrasive has dulled and must be replaced.

Grain	Use	Standard Grade Part #/Qty.	Professional Grade Part #/Qty.
20 grit	For removing gross imperfections and restoring evenness to old flooring. To remove buildup of paints and varnishes	945950/10	
36 grit	For the first sanding of new flooring (maple, oak). For removing minor imperfections and finishes from old flooring.	945951/20	
$\frac{60 \text{ grit}}{60 \text{ grit}}$ — screen mesh	For clean-up from initial cut 36 grit.	$\frac{945954/20}{945960/20}$	
$\frac{80 \text{ grit}}{80 \text{ grit}}$ — screen mesh	For final sanding of certain hardwoods. For clean-up of cuts (60 grit).	$\frac{945955/20}{945961/20}$	
$\frac{100 \text{ grit}}{100 \text{ grit}}$ — screen mesh	For final sanding of certain hardwoods and conifers where a smooth surface is desired.	$\frac{945956/20}{945962/20}$	
120 grit screen mesh	For final sanding of certain hardwoods and conifers where a smooth surface is desired. For leveling after initial finish coat.	945963/20	
150 grit screen mesh	For scratching surface between coats of finish	945964/20	
180 grit screen mesh	For surface roughing between coats of finish.	945965/20	

IVIE Enterprises – Website: www.ivie-ent.com - Order Parts Online