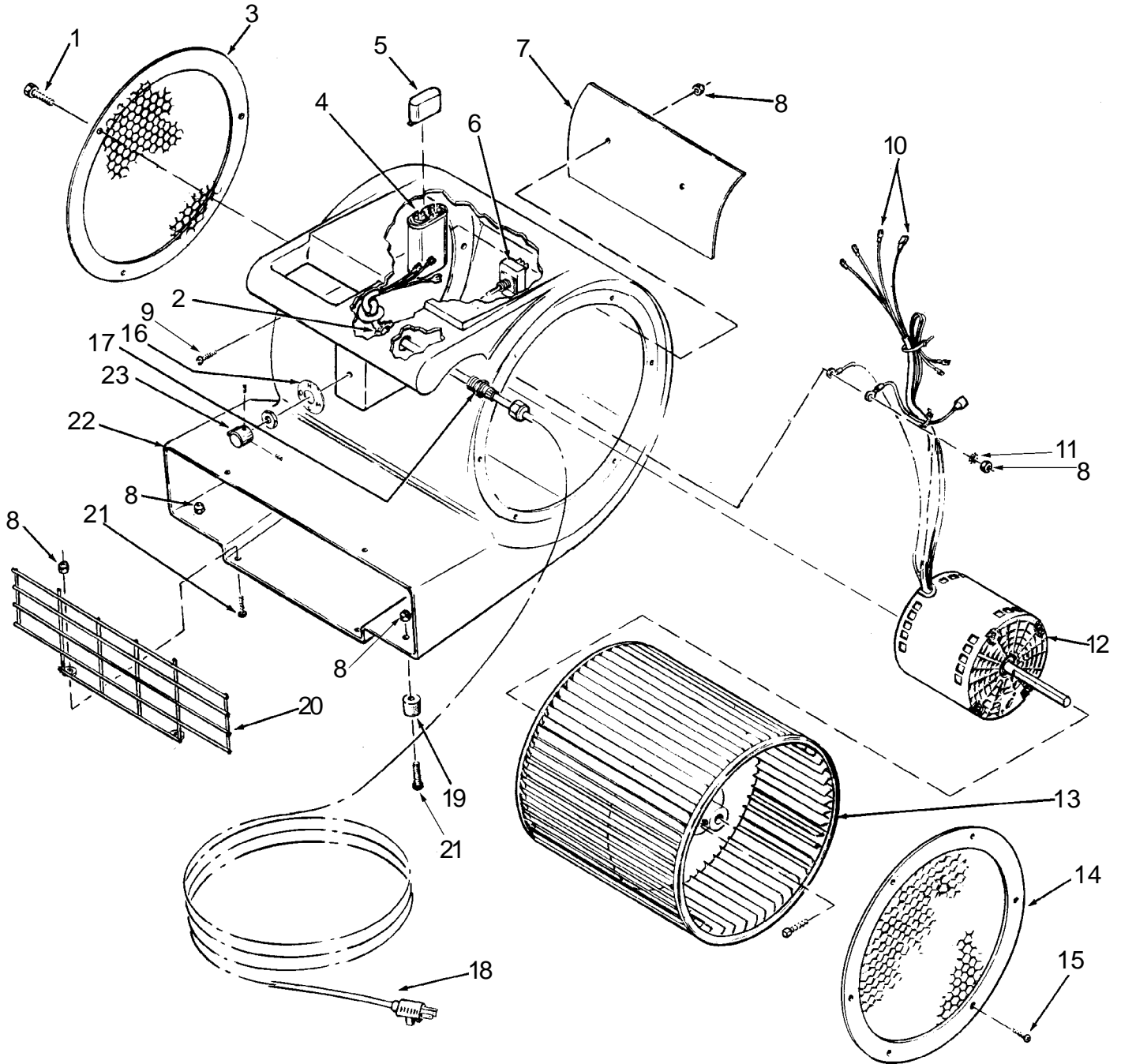


CLARKE TECHNOLOGY
Carpet Dryer
Assembly Drawing 8/00



IVIE Enterprises

www.ivie-ent.com

Ph:(918)254-5161 or (888)262-5161 Fax:(918)250-4807

CLARKE TECHNOLOGY
Carpet Dryer
Assembly Drawing Parts List 8/00

			QTY.
Ref.	Part No.	Description	DLX
1	85807A	Screw, 1/4-20 x 7/8	4
2	81210A	Nut, 3/4 Conduit	1
3	66805B	Guard, Intake (3) Hole	1
4	41301A	Capacitor 10 x 370	1
5	31001A	Boot	1
6	47363A	Switch, Rotary (DLX Only)	1
7	32398A	Cover, Wiring	1
8	920296	Nut 10-24	7
9	962016	Screw, 10-24 x 1/2 RD	2
10	47701A	.25 FIFQD Terminal	7
11	980603	Washer, Star #10	1
12	40145A	Motor, 1/2 H.P. 115 Volt	1
	44808A	Motor, 1/2 H.P. 230 Volt	1
13	63102A	Fan, Turbine	1
14	66804B	Guard, Intake (6) Hole	1
15	962956	Screw	6
16	77274A	Label	1
17	53074A	Strain Relief	1
18	42217A	Power Cord 18-3	1
19	35703A	Isolator Foot	2
20	63917A	Finger Guard	1
21	85381A	Screw, 10-24 x 3/4 PN	4
22	35238D	Housing, Blower	1
23	55517A	Knob, Switch (DLX only)	1

IVIE Enterprises

www.ivie-ent.com Ph:(918)254-5161 or (888)262-5161 Fax:(918)250-4807