
IVIE Enterprises
www.ivie-ent.com Ph:(918)254-5161 or (888)262-5161 Fax:(918)250-4807



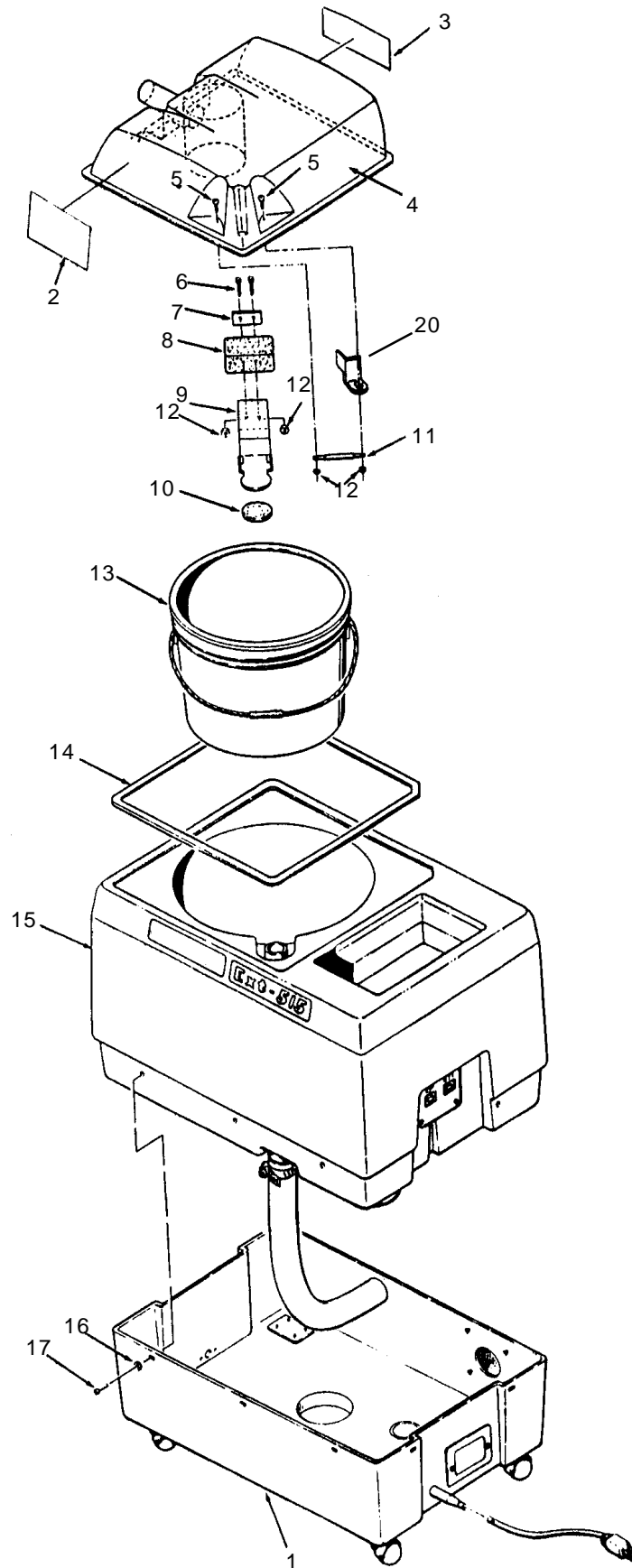
CLARKE
TECHNOLOGY

EXT 311
Extractor

Section II
Parts and Service Manual

(78164C)

CLARKE TECHNOLOGY EXT-311
Assembly Drawing 2/99



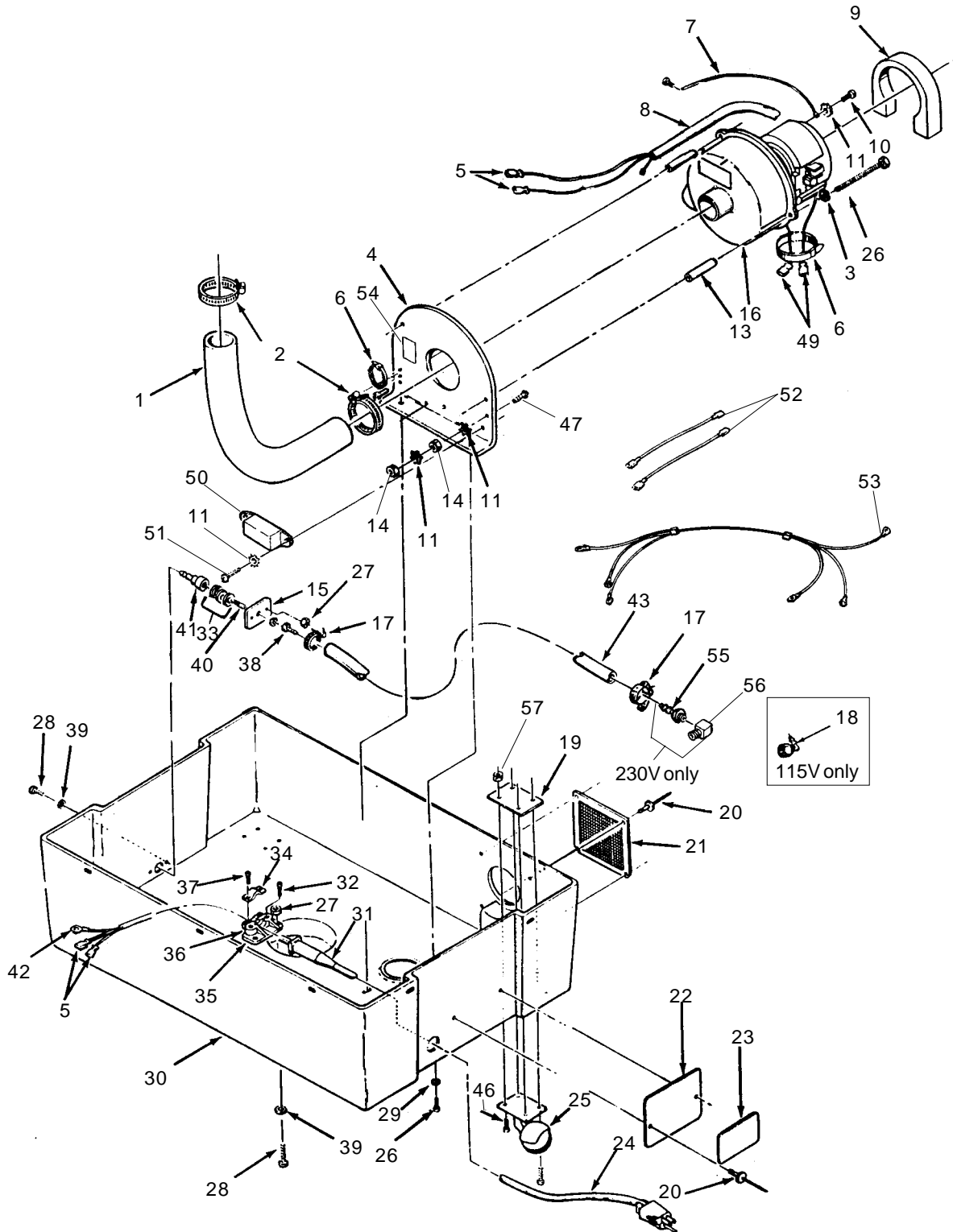
**CLARKE TECHNOLOGY EXT-311
Assembly Drawing Parts List 2/99**

Item #	Part No.	Description	Qty.
1	Pgs 16/17	Assembly, Base	1
2	73289B	Label, Warning	1
3	73290A	Label, Instruction	1
4	32504C	Dome, Recovery	1
5	962027	Screw, #8-32 x ½ Pan	2
6	85350A	Screw, #8-32 x 2½ Pan	2
7	62401A	Clamp, Float	1
8	33801A	Float	1
9	61110B	Bracket, Float	1
10	34213A	Gasket, Float Shut-off	1
11	67104A	Rod, Float Pivot	1
12	81109A	Nut, #8-32 ESNA S.S.	4
13	36901A	Pail, Recovery	1
14	34235B	Gasket, Dome Assembly	1
15	Page 18	Asm. Solution Tank	1
16	980982	Washer #10	10
17	85500A	Screw #10-32½	10
18	Page 16	Hose from Vac Motor	Ref.
19	Page 16	Clamp, Hose	Ref.
20	69431A	Bracket, Tank	1
Ref.	13001C	Dome & Label Assembly (Includes Items 2,3,4)	1
NI	699203	Tag, Caution	1

IVIE Enterprises

www.ivie-ent.com Ph:(918)254-5161 or (888)262-5161 Fax:(918)250-4807

CLARKE TECHNOLOGY EXT-311
Base Assembly Drawing 1/00



IVIE Enterprises

www.ivie-ent.com

Ph:(918)254-5161 or (888)262-5161 Fax:(918)250-4807

CLARKE TECHNOLOGY EXT-311
Base Assembly Drawing Parts List 1/00

Item #	Part No.	Description	Qty.
1	35131A	Hose, Vac to Tank	1
2	752020	Clamp, Hose	2
3	980646	Washer	3
4	65903A	Mount, Vac Motor	1
5	47711A	Terminal, ¼ FIFQDC	2
6	699202	Tie, Nylon	2
7	954010	Wire, Assembly Green	1
8	49739A	Harness, Control	Ref.
9	34234A	Gasket, Intake Air	1
10	962546	Screw, 10-24 x ½	1
11	980603	Washer #10 SH	3
13	58534A	Spacer	3
14	920234	Nut	2
15	66617A	Plate, Q.D. Mounting	1
16	44923A	Motor, Vac 120V	1
	44924A	Motor, Vac 230V	1
17	50248A	Clamp, Hose	2
18	692870	Elbow, (115V)	1
19	66633A	Plate, Nut	4
20	930074	Rivet, ⅛ Dia. Closed	6
21	603801	Grill, Housing	1
22	66634A	Plate, Label Mounting	1
23		Label, Serial No.	1
24	42214A	Cord, 120V 35'	1
	42231A	Cord, 230V 10m	1
25	52100A	Caster, 2" Ball	4
26	962950	Screw	3
27	920200	Nut, 10-24 Hex (115V only)	4
	920200	Nut, 10-24 Hex (230V only)	5

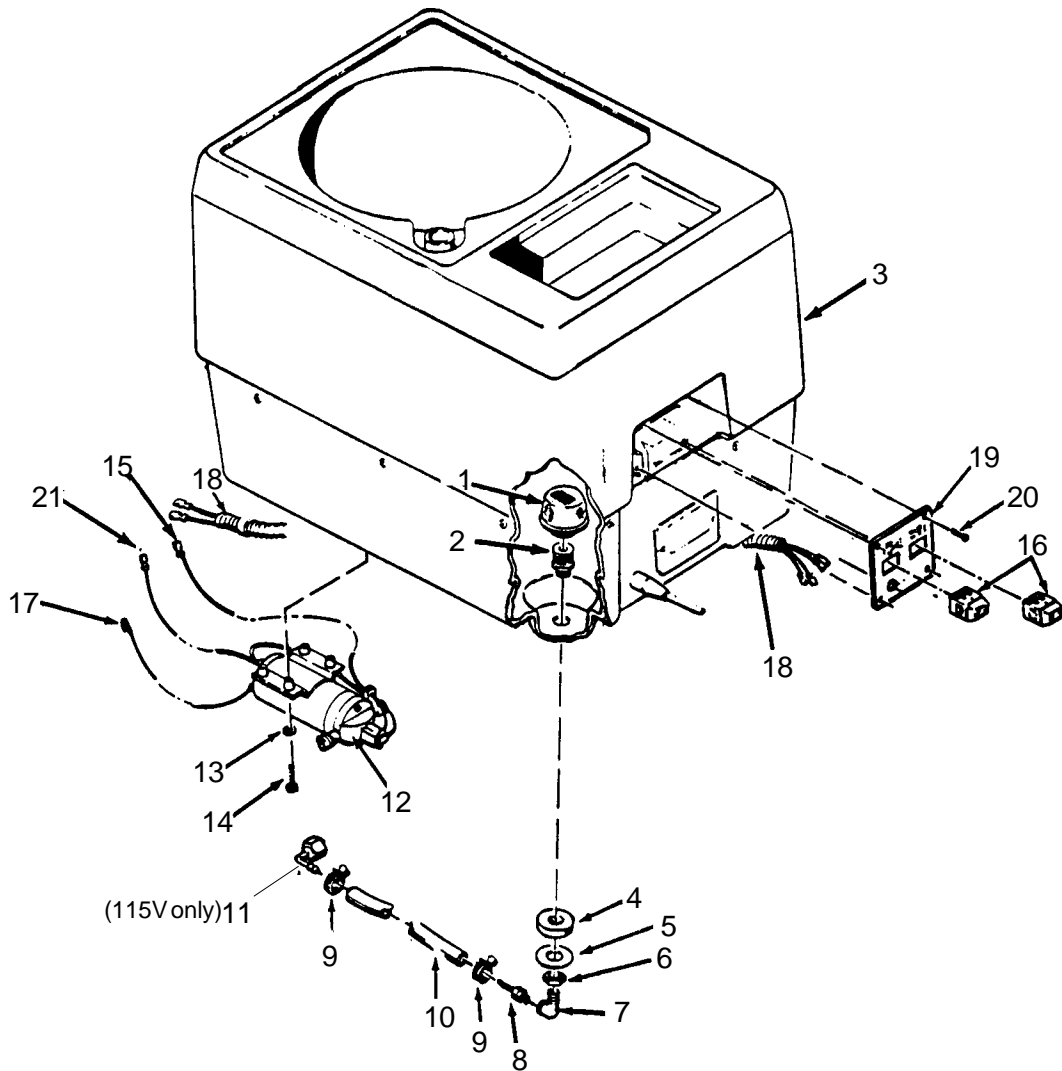
Item #	Part No.	Description	Qty.
28	962109	Screw, 10-24 x 5/8 115V	4
	962109	Screw, 10-24 x 5/8 230V	5
29	980646	Washer ¼ Plain	5
30	30801B	Base (Rotomold)	1
31	38002A	Strain Relief	1
32	964003	Screw, 5.0 x .8 x 20 PN*ST	2
33	980645	Washer, 13/32 I.D. x 13/16 O.D.	3
34	672012	Clamp, Cord	1
35	670811	Bracket, Strain Relief	1
36	672011	Clamp, Strain Relief	1
37	964005	Screw 5.0 x 0.8 x 16 PN*ST	2
38	50300A	Adapter, ⅛ NPT to 3/8 Hose	1
39	980982	Washer, #10 Plain Flat	4
40	725729	Nipple ⅛ Close Pipe	1
41	737140	Quick Disconnect	1
42	170687	Terminal, #10 Ring	1
43	35147A	Hose, 3/8 x 14"	1
46	962823	Screw, (115V only)	12
	962983	Screw, (230V only)	6
47	962113	Screw 10-32 x 1	1
49	47712A	Terminal, ¼ FIFQD	2
50	47201A	Filter (CE only)	1
51	962333	Screw (CE only)	6
52	49310A	Lead Assembly (CE only)	2
53	49642B	Harness, Grounding (CE only)	1
54	77094A	Label, Ground Symbol (CE only)	1
55	170028	Hose barb (230V only)	2
56 □	170039	Elbow (230V only)	2

NOTE: □ indicates a change has been made since last publication of this manual.

IVIE Enterprises

www.ivie-ent.com Ph:(918)254-5161 or (888)262-5161 Fax:(918)250-4807

CLARKE TECHNOLOGY EXT-311
Solution Tank Assembly Drawing & Parts List 1/00

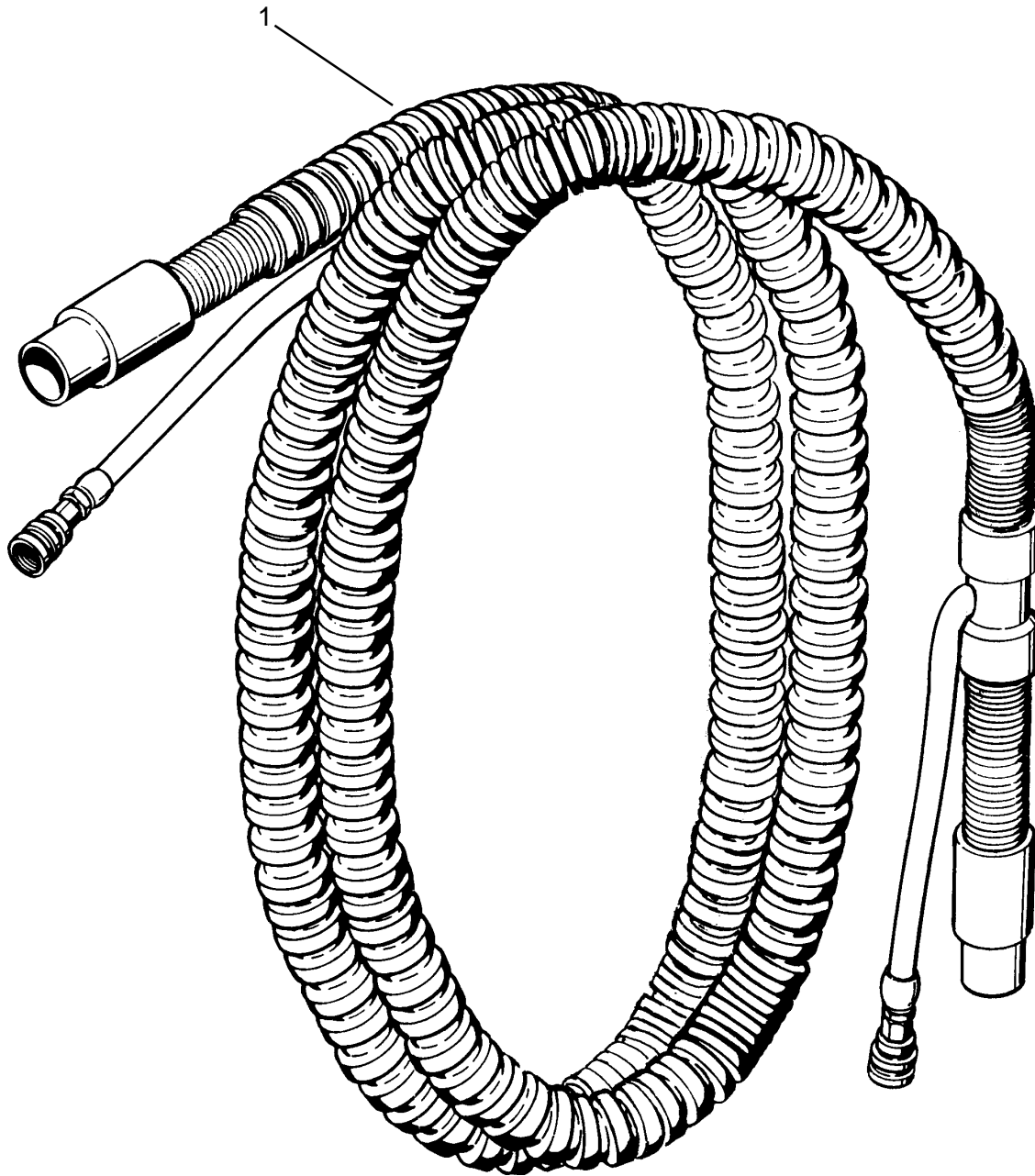


Item #	Part No.	Description	Qty.
1	728535	Strainer	1
2	60306A	Adapter, Filter	1
3	38912C	Tank	1
4	833401	Gasket, Drain	1
5	980630	Washer, 3/4" Plain	1
6	920264	Nut, 3/4 -16	1
7	170040	Elbow, St. 1/4 NPT	1
8	170030	Hosebarb, 3/8" x 1/4" NPT	1
9	50248A	Clamp, Hose	2
10	35147A	Hose, 3/8" x 14"	1
11	692870	Elbow (115V)	1
NI □	170039	Elbow (230V) See pg 16	1

Item #	Part No.	Description	Qty.
12	45928A	Pump 120V	1
	697011	Pump 230V	1
13	980982	Washer, #10	4
14	962113	Screw, 10-32 x 1	4
15	47711A	Terminal, 1/4 FIFQD (115V)	1
16	47316B	Switch, Rocker DPST	2
17	912064	Terminal, Clip #10	1
18	49739A	Harness Control	1
19	37303A	Switch, Plate	1
20	962929	Screw, 10-32 x 3/8	4
21	47905A	Terminal, 1/4 FIMQD (230V)	1
NI	699202	Tie, Cable	1

NOTE: □ indicates a change has been made since last publication of this manual.

CLARKE TECHNOLOGY EXT-311
10 Ft. Hose Assembly Drawing
Part #59232A 11/98

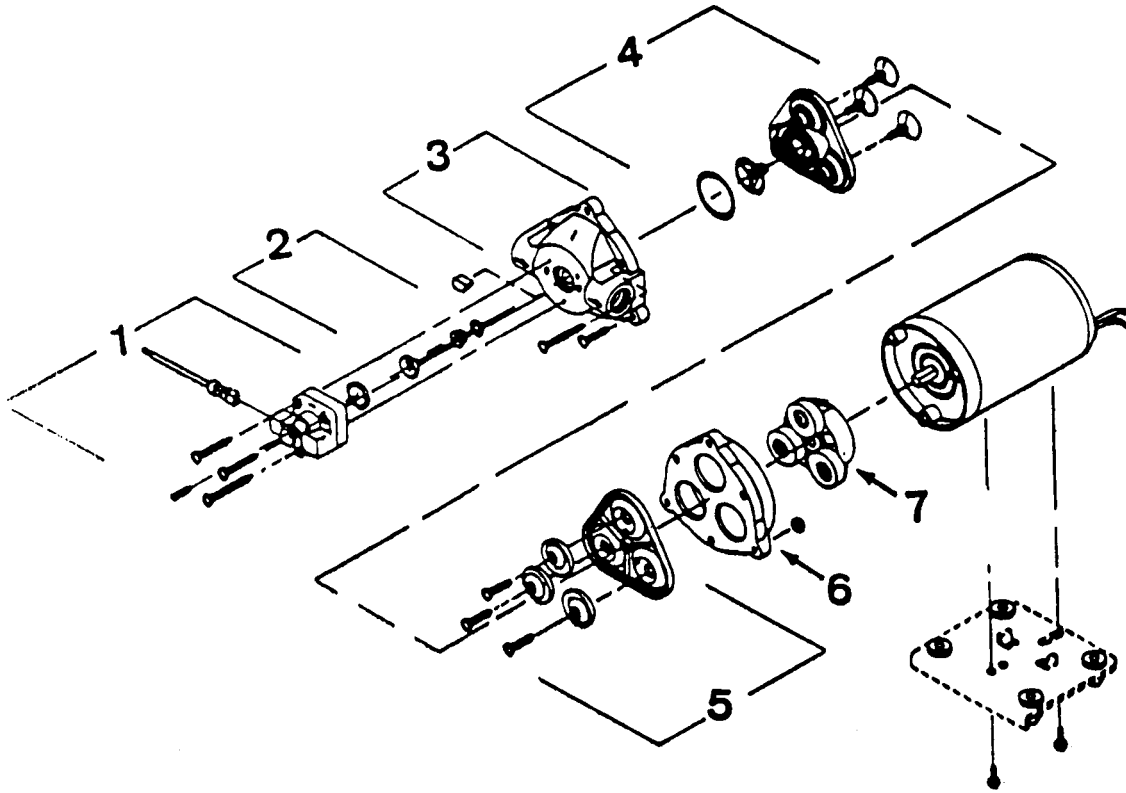


Item #	Part No.	Description	Qty.
1	59232A	Hose, Pumper 1.5" I.D. x 10'L	1

IVIE Enterprises

www.ivie-ent.com Ph:(918)254-5161 or (888)262-5161 Fax:(918)250-4807

CLARKE TECHNOLOGY EXT-311
 Pump (#45928A) 100 PSI/120V
 Drawing and Parts List - 11/98

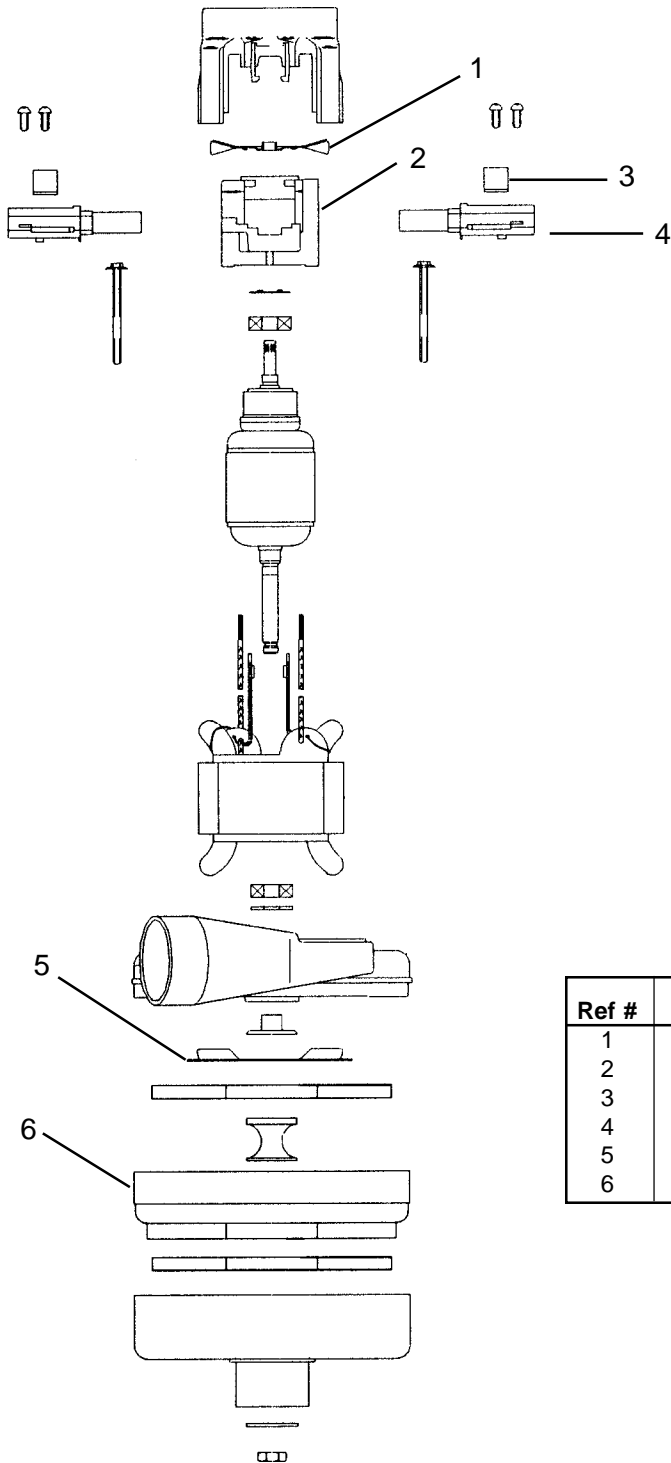


Ref #	Part No.	Description	Qty	45909B	45928A	45929A
1	55379A	Kit, Switch - Viton 60 psi	1	x		
	53057A	Kit, Switch - Viton 80/100 psi	1		x	
	53056A	Kit, Switch 80/100 psi	1			x
2	55374A	Kit, Dual Check Valves	1	x	x	
	52908A	Kit, Check Valves	1			x
3	54715A	Housing, Upper	1	x		
	54881A	Housing, Upper	1		x	x
4	55373A	Kit, Vavle	1	x		
	59783A	Kit, Valve	1		x	x
5	53201A	Kit, Diaphragm	1	x		
	53205A	Kit, Diaphragm	1		x	x
6	54888A	Housing, Lower	1	x		
	54882A	Housing, Lower	1		x	x
7	54837A	Kit, Drive Assembly	1	x		
	52909A	Kit, Drive Assembly	1		x	
	52907A	Kit, Drive Assembly	1			x

IVIE Enterprises

www.ivie-ent.com Ph:(918)254-5161 or (888)262-5161 Fax:(918)250-4807

CLARKE TECHNOLOGY EXT-311
Motor 230V #44924A - 11/98

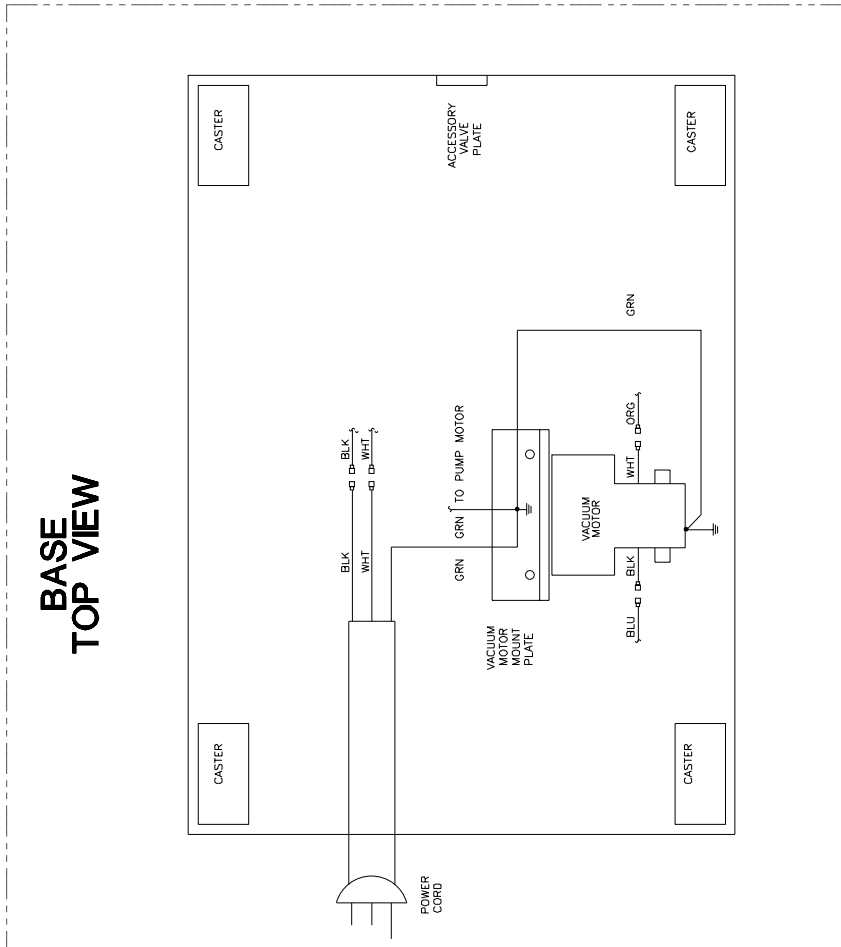
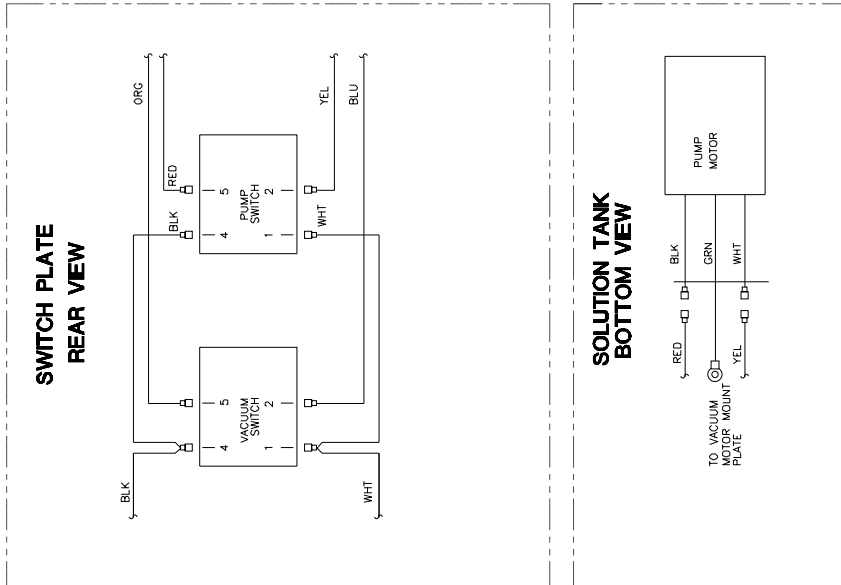


Ref #	Part No.	Description	Qty
1	53905A	Fan	1
2	50618A	Comm End Bracket	1
3	51914A	Clamp	2
4	40813A	Brush Mechanism	2
5	53995A	Air Seal Fan	1
6	53908A	Stationary Fan	1

IVIE Enterprises

www.ivie-ent.com Ph:(918)254-5161 or (888)262-5161 Fax:(918)250-4807

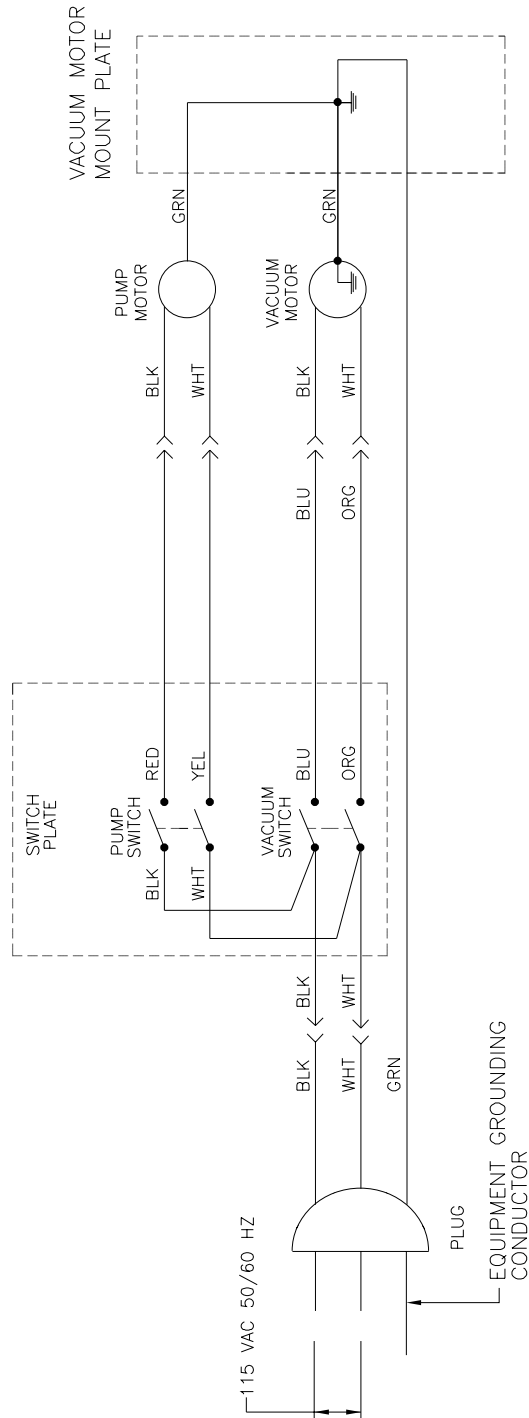
CLARKE TECHNOLOGY EXT-311
Connection Diagram 120V - 9/95



IVIE Enterprises

www.ivie-ent.com Ph:(918)254-5161 or (888)262-5161 Fax:(918)250-4807

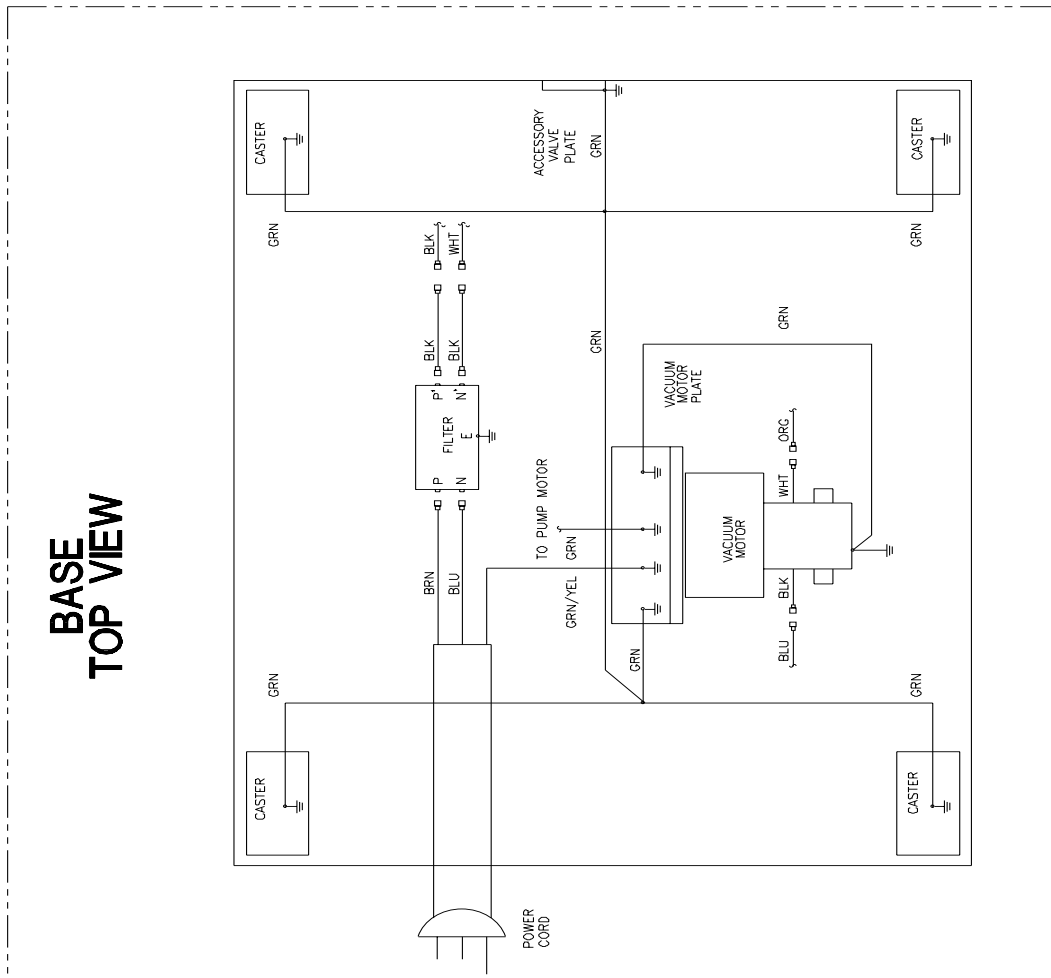
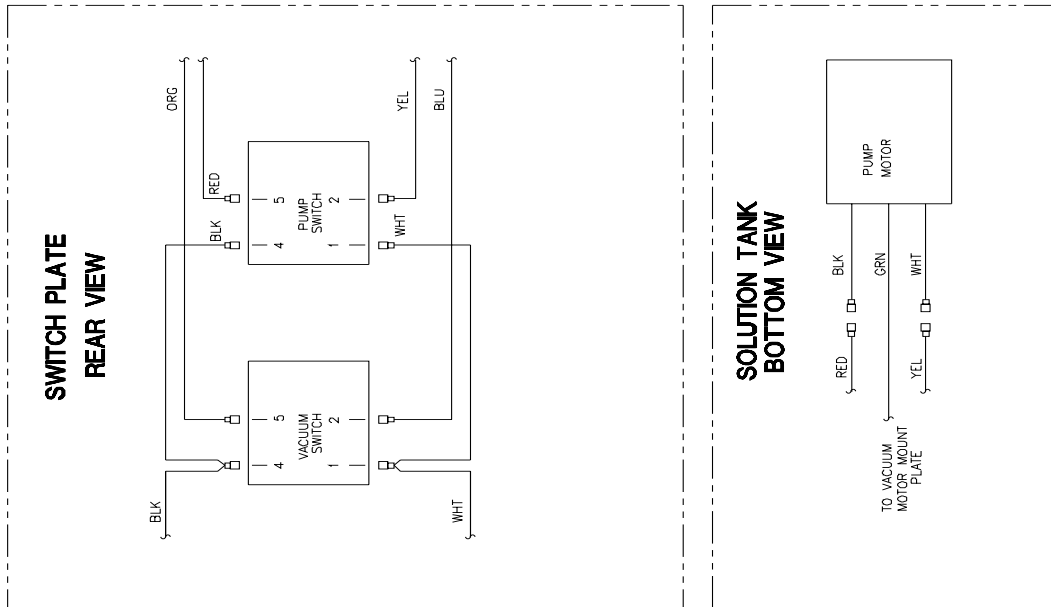
CLARKE TECHNOLOGY EXT-311
Wiring Diagram 120V - 9/95



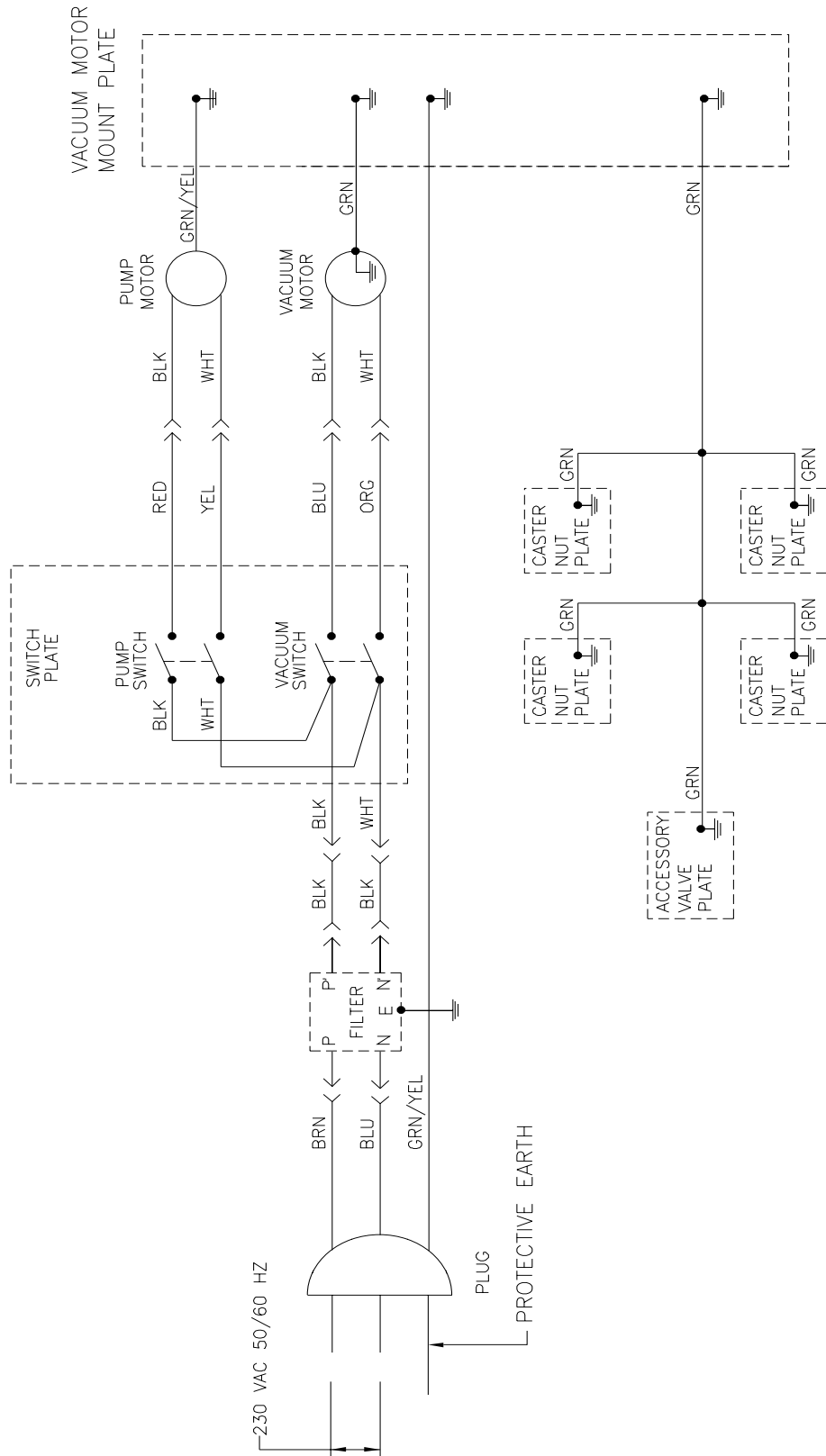
IVIE Enterprises

www.ivie-ent.com Ph:(918)254-5161 or (888)262-5161 Fax:(918)250-4807

CLARKE TECHNOLOGY EXT-311
Connection Diagram 230V - 9/98



CLARKE TECHNOLOGY EXT-311
Wiring Diagram 230V - 9/98



IVIE Enterprises

www.ivie-ent.com

Ph:(918)254-5161 or (888)262-5161 Fax:(918)250-4807