

---

[www.ivie-ent.com](http://www.ivie-ent.com) Ph:(918)254-5161 or (888)262-5161 Fax:(918)250-4807



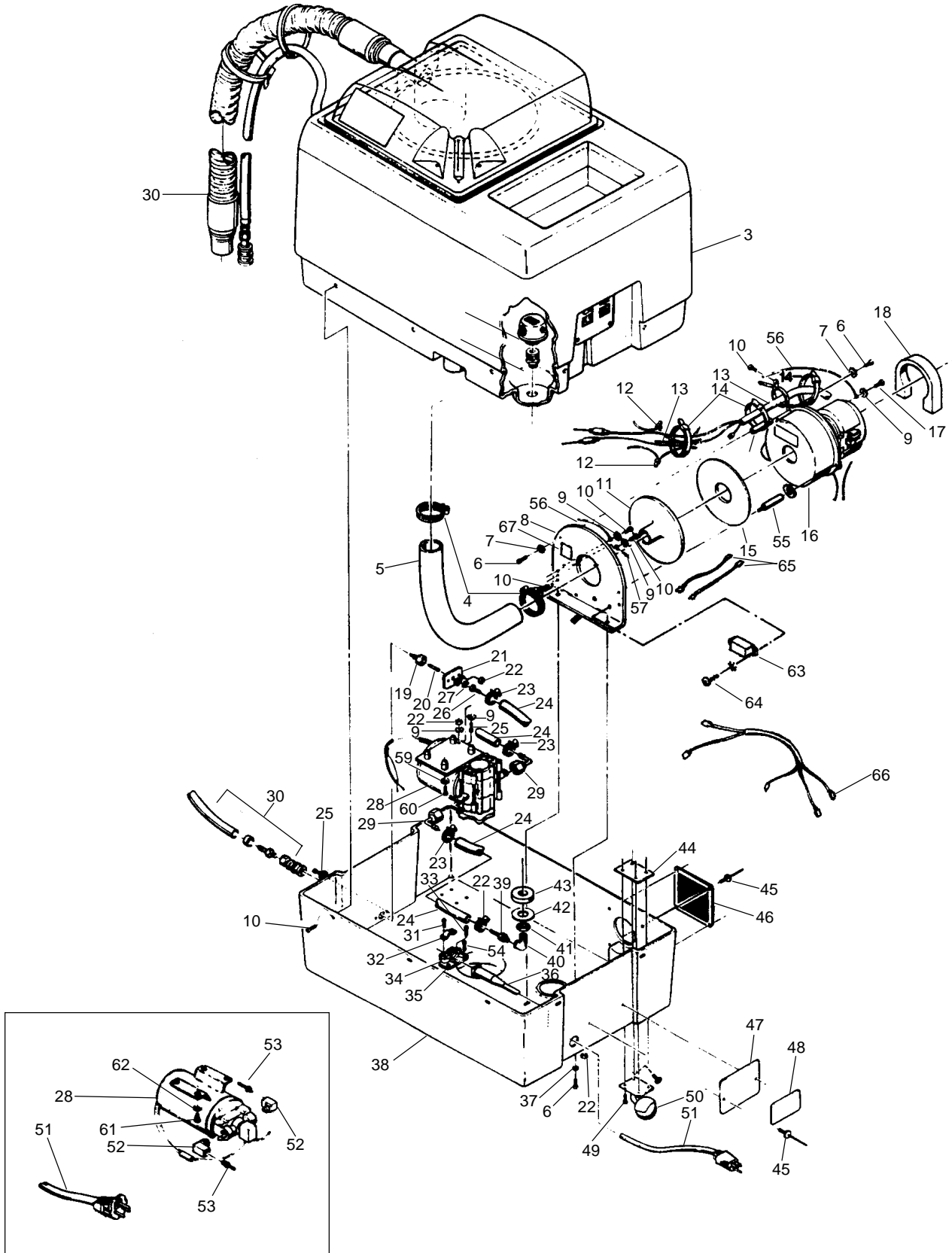
**CLARKE**  
**TECHNOLOGY**

**EXT 515**  
**Extractor**

**Section II**  
**Parts and Service Manual**

(78165A)

CLARKE TECHNOLOGY EXT-511  
 Assembly Drawing #1 9/98



**CLARKETECHNOLOGYEXT-511**  
**Assembly Drawing #1 Parts List 9/98**

Item #	Part No.	Description	Qty.
1	728535	Strainer, Solution Tank	1
2	60306A	Adapter, Filter	1
3	□ 38913C	Tank	Ref.
4	752020	Clamp, Hose .81 to 1.75 range	2
5	35131A	Hose, Vacuum	1
6	85329A	Screw, ¼-20 x 5/8 Pan	7
7	980614	Washer, ¼ Shakeproof	5
8	65903A	Mount, Vac Motor	1
9	□ 980603	Washer, #10 Shakeproof	7
10	85364A	Screw, #10-32 x 3/8	14
11	60307A	Adapter, Vac Motor	1
12	911177	Nut Wire	4
13	49620A	Wire Harness Assembly	1
14	899254	Wire Tie	3
15	34212A	Gasket, Vac Motor Adapter	1
16	44906A	Motor, Vac 120V	1
	44907A	Motor, Vac 230V	1
17	85506A	Screw, #10-24 x ½, Type 23	1
18	34234A	Gasket, Intake Air	1
19	737140	Quick Disconnect, Male	1
20	725729	Nipple, 1/8 Close Pipe	1
21	66617A	Plate, Quick Disconnect Mt.	1
22	920200	Nut, #10-24 Hex	5
23	722030	Clamp, Hose	4
24	694116	Hose	2
25	85323A	Screw, #10-24 x ½	3
26	50300A	Adapter, 1/8p to 3/8 Hose	1
27	81200A	Nut, 1/8 Pipe Lock	1
28	45900A	Pump, 120V	1
	697011	Pump, 230V	1
29	692870	Elbow, Swivel Barb	2
30	15604A	Hose Assembly Applicator	Ref.
31	964004	Screw, M5 x 0.8 x 16 PN	2
32	672012	Clamp, Cord	1
33	964003	Screw, M5 x 0.8 x 20 Pan	2

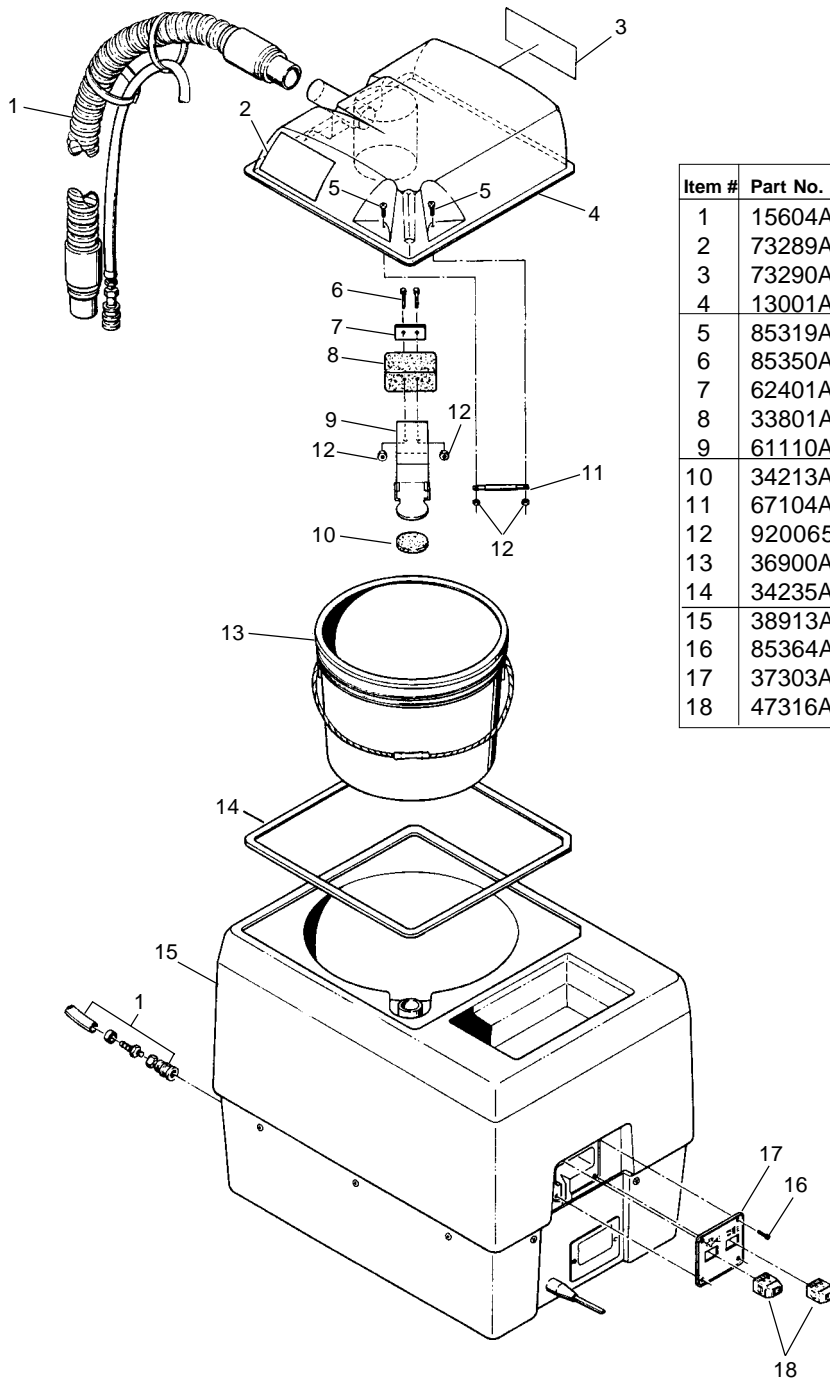
Item #	Part No.	Description	Qty.
34	672011	Clamp, Strain Relief	1
35	670811	Bracket, Strain Relief	1
36	38002A	Strain Relief	1
37	980646	Washer, ¼ Plain	2
38	□ 30801B	Base	1
39	502406	Coupling, ¼P to 3/8 Hose	1
40	232801	Elbow, Street	1
41	833401	Gasket, Drain	1
42	980630	Washer, 3/4 I.D. Plain	1
43	920264	Nut, 3/4-16 Hex Jam	1
44	66633A	Plate, Nut	4
45	930074	Pop Rivet, 1/8 x ¼ x 5/16	6
46	603801	Grill, Rear Housing	1
47	66634A	Plate, Label Mounting	1
48		Label, Serial No.	1
49	85328A	Screw, ¼-20 x ½	16
50	52100A	Caster, 2" Ball	4
51	42164B	Cord, Extension 120V	1
	42167A	Cord, Extension 230V	1
52	722851	Elbow, 3/8 St. 230V Only	2
53	720270	Adapter, 3/8H x 3/8NPT 230V only	2
54	85353A	Screw, #10-24 x 5/8 Pan	2
55	962453	Screw, ¼-20 Set	1
56	954010	Wire Assembly, Ground	1
57	49033A	Wire Ground Lead, 120V only	1
58	838216	Spacer, 120V only	2
59	980982	Washer, 1#C SAE 120V only	4
60	85361A	Screw, #10-32 x 1 Pn 120V	4
61	85307B	Screw, #10-32 x 5/8 230V only	4
62	980982	Washer, #10 Plain 230V only	4
63	□ 47201A	Filter (CE only)	1
64	□ 962333	Screw (CE only)	6
65	□ 49310A	Lead Assembly (CE only)	2
66	□ 49642B	Harness (CE only)	1
67	□ 77094A	Label (CE only)	1

NOTE: □ indicates a change has been made since last publication of this manual.

**IVIE Enterprises**

[www.ivie-ent.com](http://www.ivie-ent.com) Ph:(918)254-5161 or (888)262-5161 Fax:(918)250-4807

**CLARKE TECHNOLOGY EXT-511**  
**Assembly Drawing #2 & Parts List 5/86**



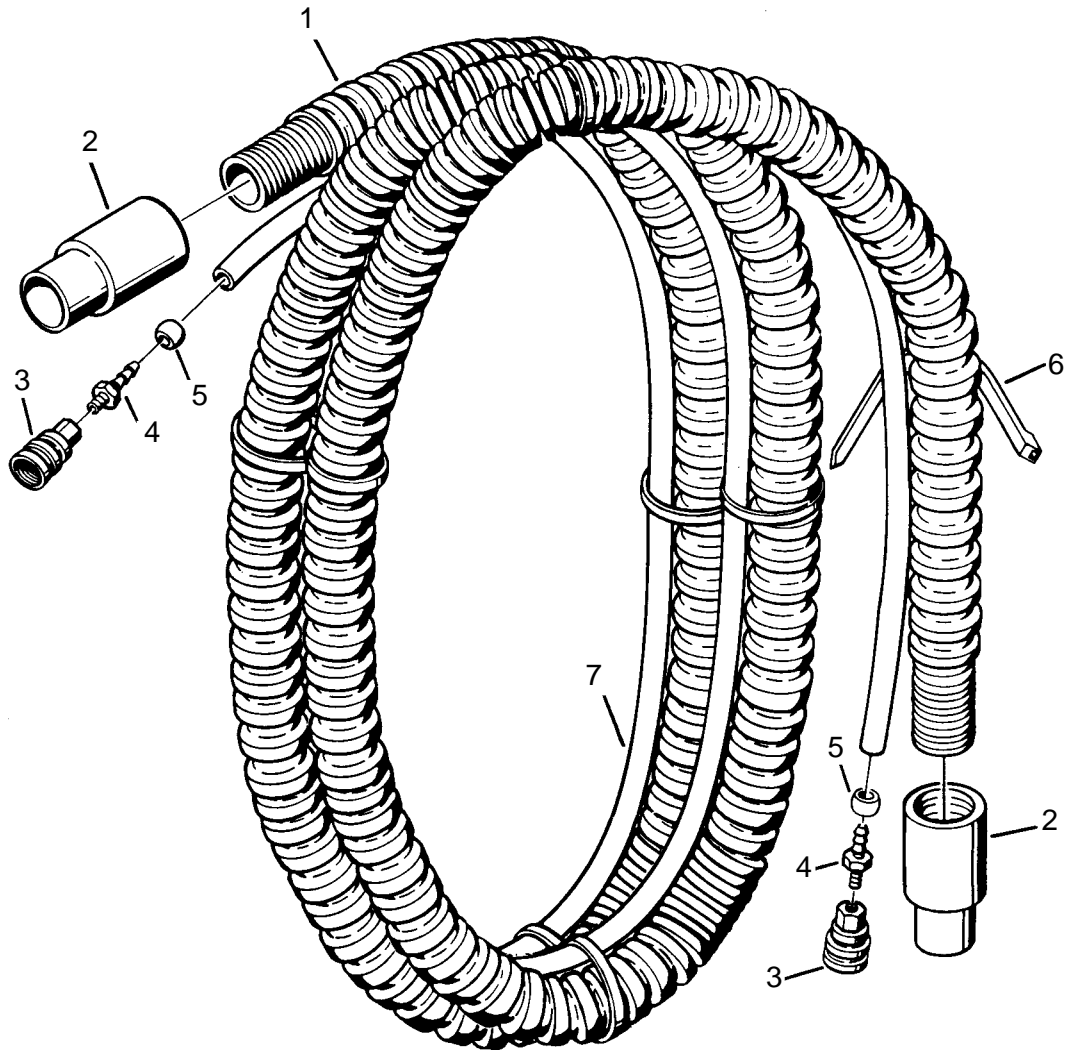
Item #	Part No.	Description	Qty.
1	15604A	Hose Assembly	1
2	73289A	Label, Warning	1
3	73290A	Label, Instruction	1
4	13001A	Dome and Label Assembly	1
5	85319A	Screw, #8-32 x 1/2 Pan	2
6	85350A	Screw, #8-32 x 2 1/2 Pan	2
7	62401A	Clamp, Float	1
8	33801A	Float	1
9	61110A	Bracket, Float	1
10	34213A	Gasket, Float Shut-Off	1
11	67104A	Rod, Float Pivot	1
12	920065	Nut, #8-32 ESNA	4
13	36900A	Pail, Recovery	1
14	34235A	Gasket, Dome Assembly	1
15	38913A	Tank	1
16	85364A	Screw, #10-32 x 3/8	4
17	37303A	Plate, Switch	1
18	47316A	Switch, On-Off	2

**IVIE Enterprises**

[www.ivie-ent.com](http://www.ivie-ent.com)

Ph:(918)254-5161 or (888)262-5161 Fax:(918)250-4807

**CLARKE TECHNOLOGY EXT-511**  
**10 ft. Hose Assembly Drawing & Parts List 5/86**

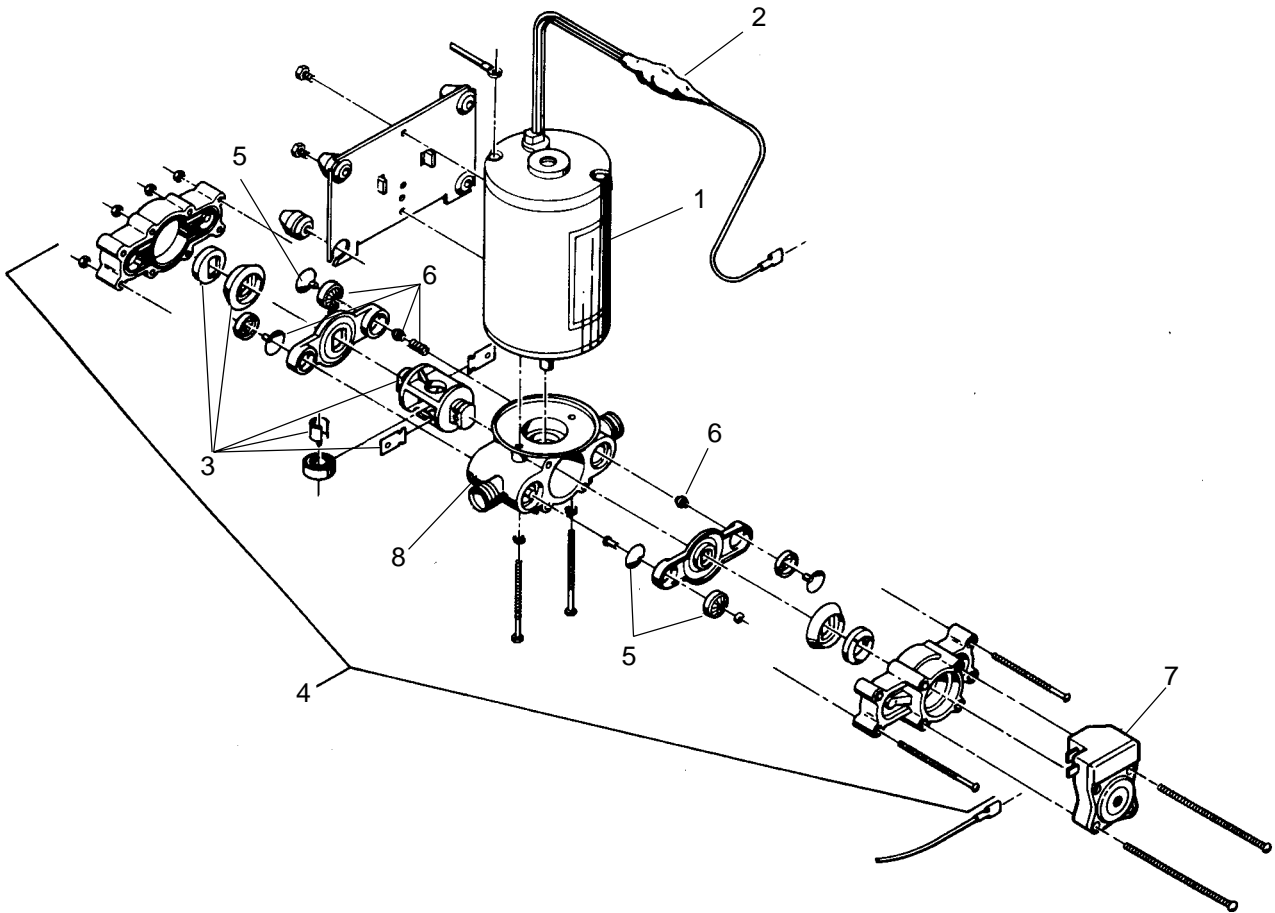


Item #	Part No.	Description	Qty.
1	634117	Hose, Vacuum 1½" I.D. x 10'	1
2	732440	Cuff, Vacuum Hose	2
3	737141	Quick Disconnect, Female	2
4	690209	Adapter, ¾" Hose to ¼" NPT	2
5	693302	Ferrule	2
6	899254	Tie, Nylon Cable	9
7	35110A	Hose, Applicator	1

**IVIE Enterprises**

[www.ivie-ent.com](http://www.ivie-ent.com) Ph:(918)254-5161 or (888)262-5161 Fax:(918)250-4807

**CLARKE TECHNOLOGY EXT-511  
Pump Replacement Parts 5/86**

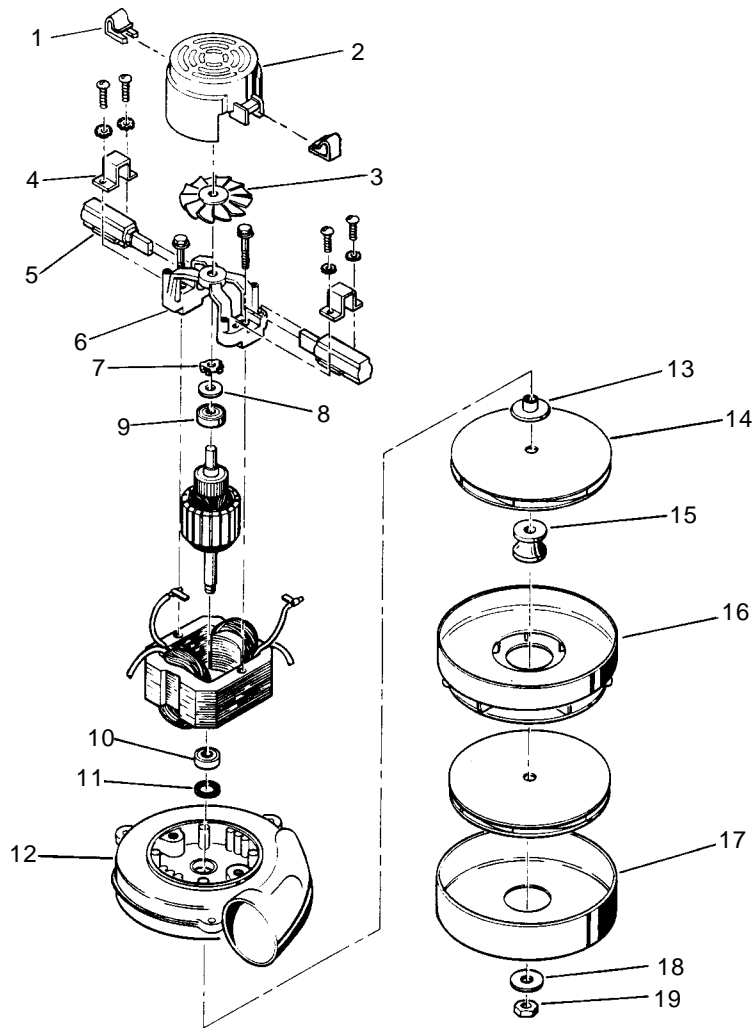


Ref #	Part No.	Description	No. Req.
1	56002A	Motor	
2	912232	Rectifier	
3	697072	Piston and Eccentric	
		Lock Ring	2
		Cap Piston	2
		Eccentric	1
		Bearing	1
		Wear Plate	2
		Piston	1
4	54805A	Head Assembly Complete	
5	692972	Elastomer Assembly	
		Seat Valve	4
		Valve	3
		Diaphragm	2
		Valve	1
		O'Ring	1
6	59701A	Valve By-Pass	
		Seat Valve	2
		Valve	2
		Spring	1
		Valve Stem	1
		Valve Stem	1
7	912233	Switch Micro	
8	54807A	Pump Housing	

**SERVICE PARTS FOR  
230V PUMP #697011**

16400A	Kit - Service
16401A	Kit - Brush (Motor)
46800A	Semiconductor
	Asm. - Rectifier
47300A	Switch - Pressure

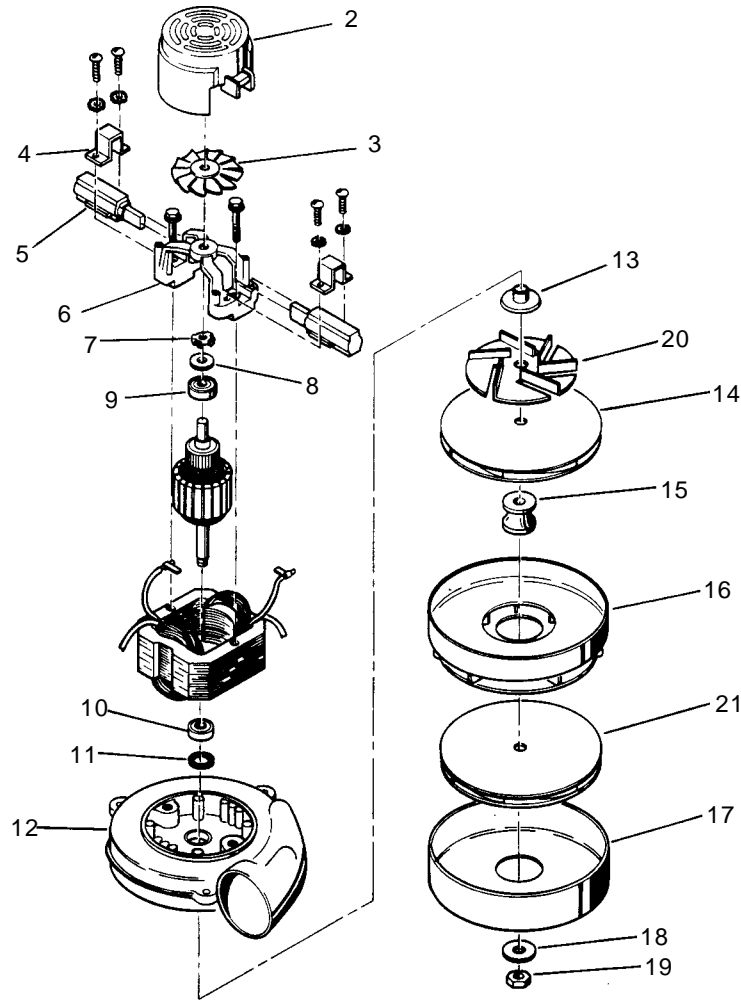
**CLARKE TECHNOLOGY EXT-511**  
**Motor 120V #44906A - 9/98**



NOTE: □ indicates a change has been made since last publication of this manual.

Ref #	Part No.	Description	Qty
1	51913A	Clip (Optional)	2
2	54809A	Housing, Vent	1
3	53905A	Fan	1
4	51914A	Clamp	2
5 □	51401A	Brushes, Carbon (Set of 2)	1
6	50618A	Bracket, End, Commutator	1
7	58600A	Load Spring	1
8	53100A	Disc	1
9	902679	Ball Bearing	1
10	902648	Ball Bearing	1
11	59803A	Washer	1
12	50610A	Bracket, End, Fan	1
13	58501A	Spacer	1
14	653012	Fan, Vacuum	2
15	658201	Spacer	1
16	53907A	Fan, Stationary	1
17	57910A	Shell, Fan	1
18	980205	Washer	1
19	920329	Nut	1

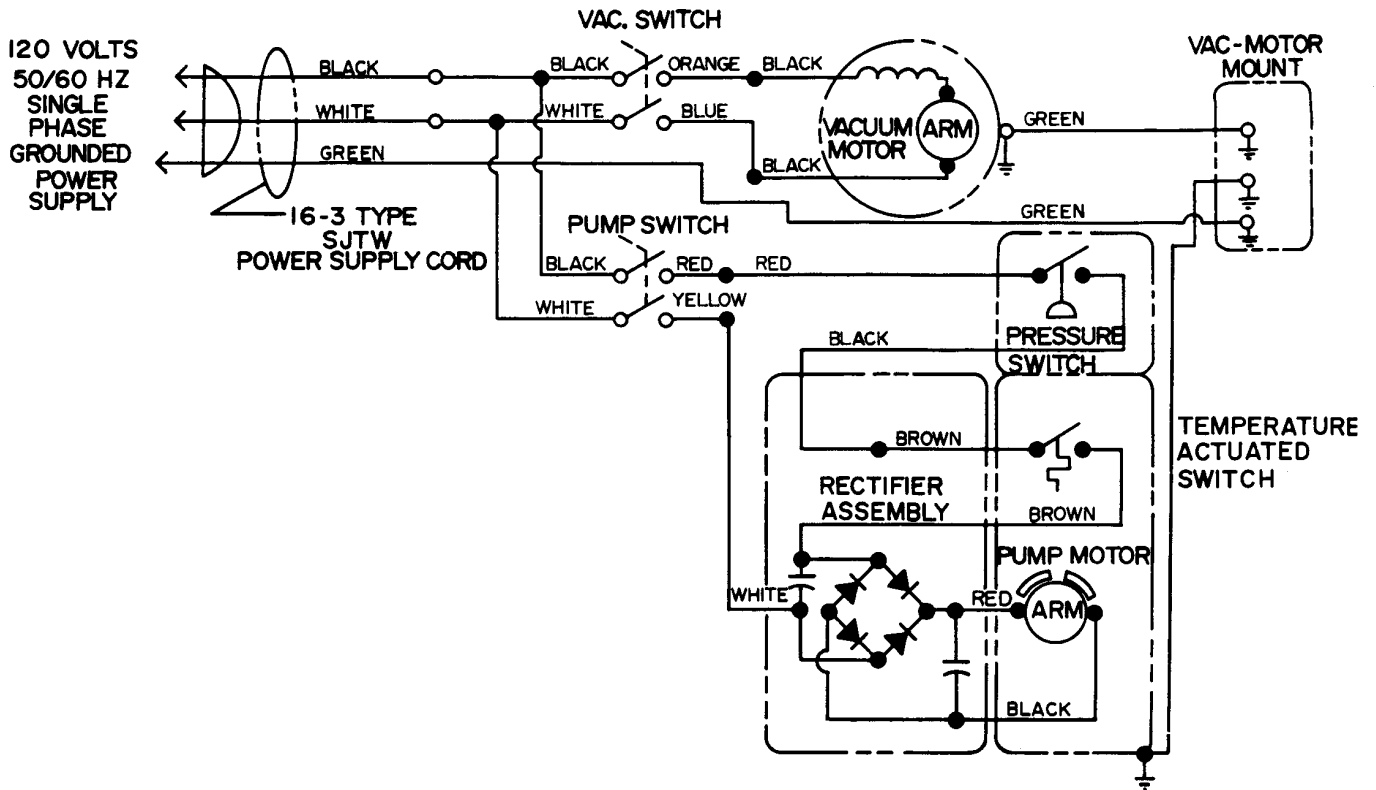
**CLARKE TECHNOLOGY EXT-511**  
**Motor 230V #44907A - 9/98**



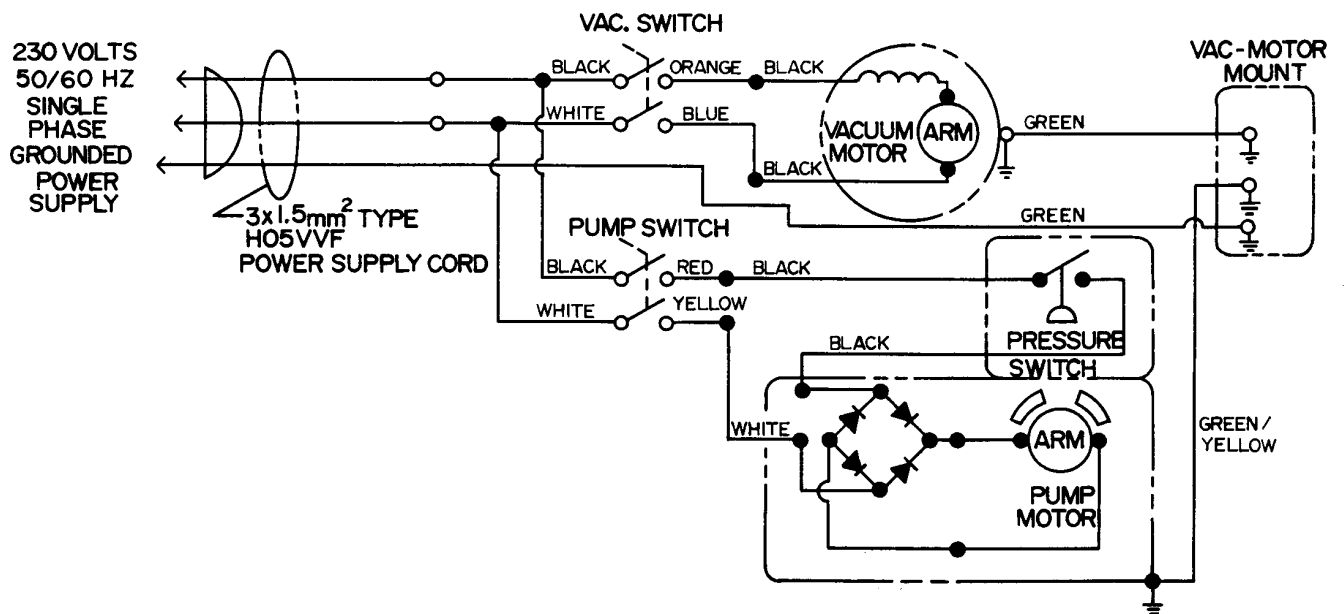
Ref #	Part No.	Description	Qty
1			
2	54809A	Housing, Vent	1
3	53905A	Fan	1
4	51914A	Clamp	2
5	40813A	Brushes, Carbon	2
6	50618A	Bracket, End, Commutator	1
7	58600A	Spring, Load	1
8	53100A	Disc	1
9	902679	Ball Bearing	1
10	902648	Ball Bearing	1
11	59803A	Washer	1
12	50610A	Bracket, End, Fan	1
13	58501A	Spacer	1
14	653012	Fan, Vacuum	1
15	658201	Spacer	1
16	53907A	Fan, Stationary	1
17	57910A	Shell, Fan	1
18	980205	Washer	1
19	920329	Nut	1
20	53906A	Fan	1
21	653012	Fan- Rotating	1

NOTE: □ indicates a change has been made since last publication of this manual.

CLARKE TECHNOLOGY EXT-511  
Wiring Diagram 120V 9/98



CLARKE TECHNOLOGY EXT-511  
Wiring Diagram 230V 9/98



IVIE Enterprises

[www.ivie-ent.com](http://www.ivie-ent.com) Ph:(918)254-5161 or (888)262-5161 Fax:(918)250-4807