

# GD 1000 series

Parts list for model:

|                      |        |
|----------------------|--------|
| GD 1005 - 110-120V:  | 208700 |
| GD 1010 - 110-120V:  | 208800 |
| GDS 1010 - 110-120V: | 208900 |
| HDS 1005 - 110-120V: | 208600 |

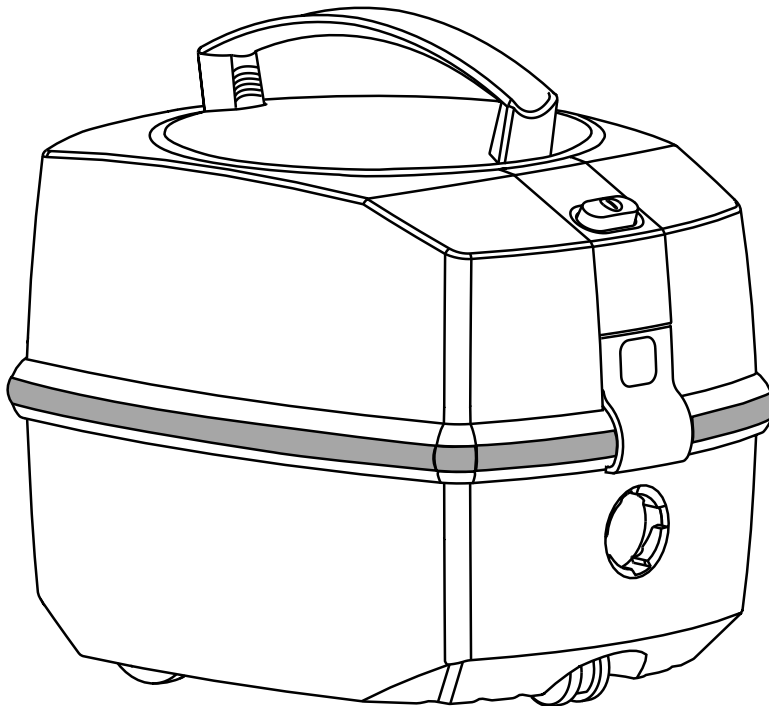


**IVIE**  
Enterprises, Inc.

ORDER PARTS

Online: [www.ivie-ent.com](http://www.ivie-ent.com)

Phone: (918)254-5161



# Nilfisk

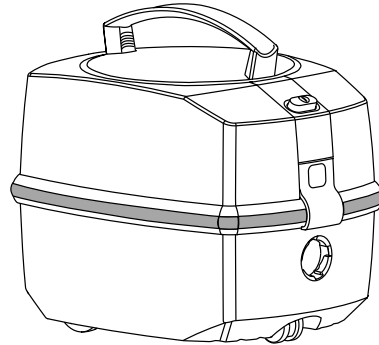
Made for ADVANCE

1/99 FORM NUMBER 56042335

**TABLE OF CONTENTS SERVICE KIT**

**GD 1005, GD 1010, GDS 1010 AND HDS 1005**

**1**



| <b>DESCRIPTION</b>                                 | <b>PAGE</b> |
|--|-------------|
| Motors, internal wires and cords                   | 2           |
| Container upper parts                              | 4           |
| Electric switch units                              | 6           |
| Filter and HEPA filter                             | 8           |
| Container bottom parts                             | 10          |
| Nozzles, tubes, hoses,<br>accessories and dust bag | 12          |
| Wiring diagrams                                    | 16          |

**WHEN ORDERING PARTS**

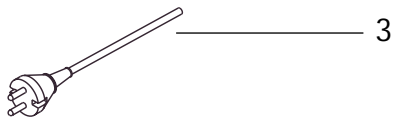
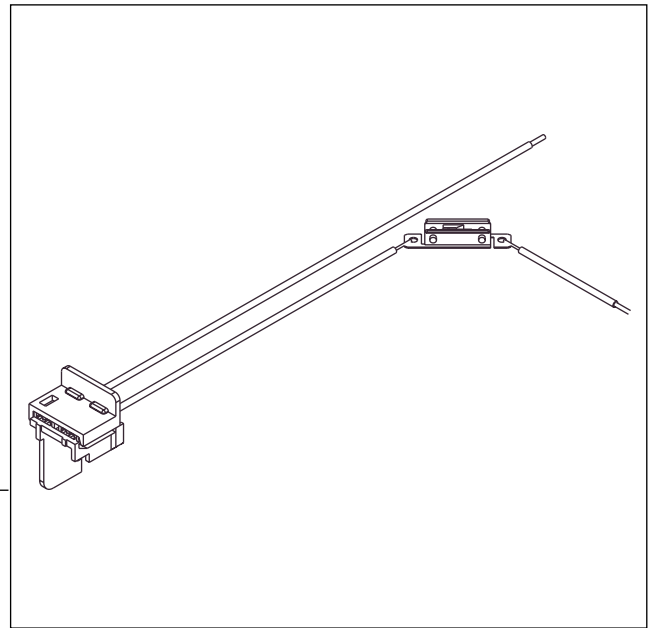
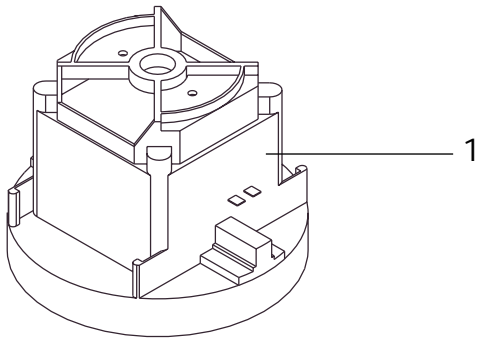
- \* Use the 6 digit numbers from the "Ref. No." columns in this parts list.
- \* Specify the model and serial number of the machine.
- \* Use the space below to record the model and serial number for future reference.

Model \_\_\_\_\_ Serial No. \_\_\_\_\_




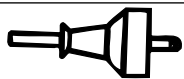
MOTOR SERVICE KIT

2

MOTOR AND CORD TYPES, ALL MODELS



**Fig. 1 Cord**

|                        | Voltage | Plug type   |   |
|------------------------|---------|---|---|
| Index 03,<br>AUS/NZ    | 250     |  |  |
| Index 05,<br>USA/Japan | 120     |  |  |

**MOTOR SERVICE KIT****MOTOR AND CORD TYPES, ALL MODELS****3**

| Item | Ref.No. | Qty | Description                                 | Note  |
|------|---------|-----|---|---|
| 1    |         |     | Motor/fan unit for:                         | Mat.: Plast and steel                             |
|      | 208601  |     | 220-240 V, 50-60 Hz, 1200 W                 |   |
|      | 208602  |     | 110-120 V, 50-60 Hz, 1000 W                 |   |
| 2a   | 208603  |     | Internal wire kit for<br>GDS 1010, HDS 1005 | Mat.: PVC and copper, PP                          |
| 2b   | 208604  |     | Internal wire kit for<br>GD 1005, GD 1010   | Mat.: PVC and copper, PP                          |
| 3    |         |     | Cord, length = 10 m                         | Mat.: PVC and copper<br>Colour: Grey,<br>RAL 7001 |
|      | 208606  | 1   | Australia, New Zealand                      |   |
|      | 208605  | 1   | USA, Japan, Canada                          |   |



**IVIE**  
Enterprises, Inc.

**ORDER PARTS**

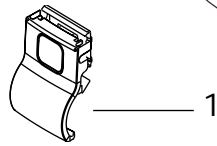
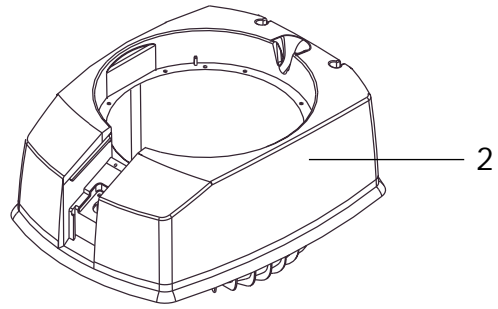
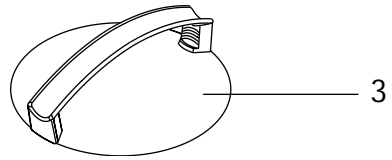
Online: [www.ivie-ent.com](http://www.ivie-ent.com)

Phone: (918)254-5161

CONTAINERS SERVICE KIT

4

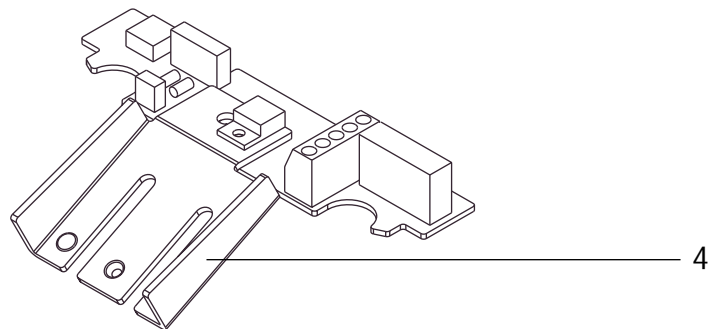
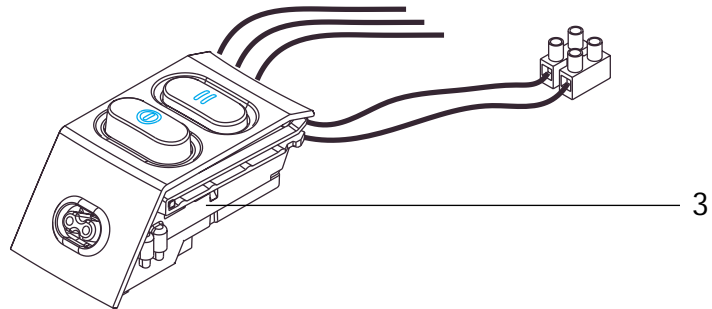
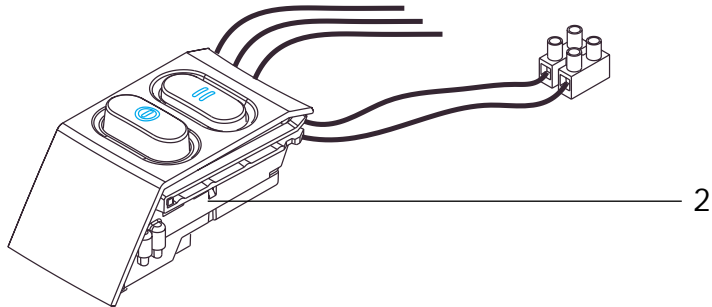
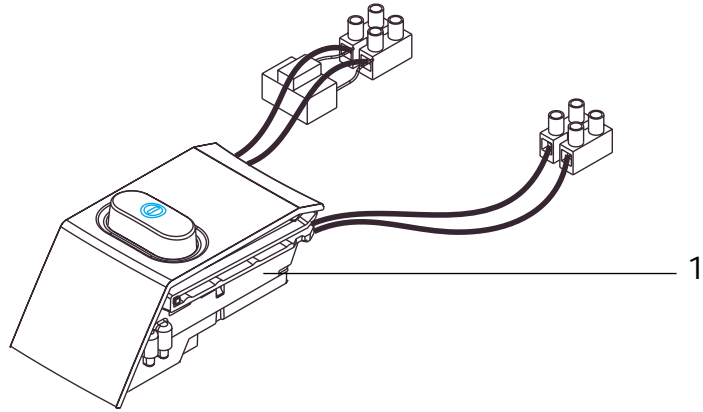
UPPER PARTS, ALL MODELS



**CONTAINERS SERVICE KIT****UPPER PARTS, ALL MODELS****5**

| <b>Item</b> | <b>Ref.No.</b> | <b>Qty</b> | <b>Description</b> | <b>Note</b>  |
|-------------|----------------|------------|--------------------|--|
| 1           | 208607         | 1          | Lock, assembly     | Mat.: PC and steel, Colour: Grey, RAL 7001/Dark grey, RAL 7016 |
| 2           | 208608         | 1          | Upper part         | Mat.: ABS, Colour: Grey, RAL 7001                              |
| 3           | 208609         | 1          | Handle cover       | Mat.: ABS, Colour: Grey, RAL 7001                              |

|  |  |
|--|--|
|  <b>IVIE</b><br>Enterprises, Inc. | <b>ORDER PARTS</b><br>Online: <a href="http://www.ivie-ent.com">www.ivie-ent.com</a><br>Phone: (918)254-5161 |
|--|--|



**ELECTRIC SWITCHES SERVICE KIT****ELECTRIC OPERATING SWITCH UNITS****7**

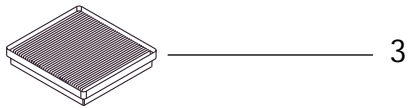
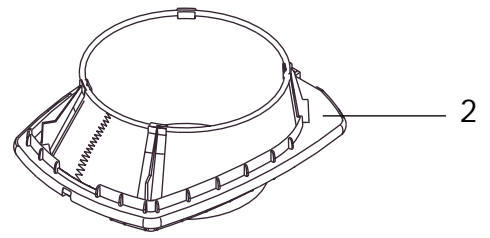
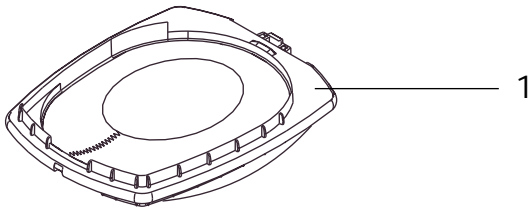
| Item | Ref.No. | Qty | Description  | Note |
|------|---------|-----|--|------|
| 1    | 208610  | 1   | Electrical unit<br>GD 1005, GD 1010                |      |
| 2    | 208611  | 1   | Electrical unit, GDS 1010                          |      |
| 3    | 208612  | 1   | Electrical unit, HDS 1005                          |      |
| 4    |         |     | Printed wiring board for<br>GDS 1010 and HDS 1005: |      |
|      | 208613  | 1   | 220-240 V, 50 Hz, 1200 W                           |      |
|      | 208614  | 1   | 110-120 V, 60 Hz, 1000 W                           |      |
|      | 208615  | 1   | 100 V, 60 Hz, 1000 W                               |      |

 **IVIE** ORDER PARTS  
Enterprises, Inc. Online: [www.ivie-ent.com](http://www.ivie-ent.com)  
Phone: (918)254-5161

**FILTERS SERVICE KIT**

**8**

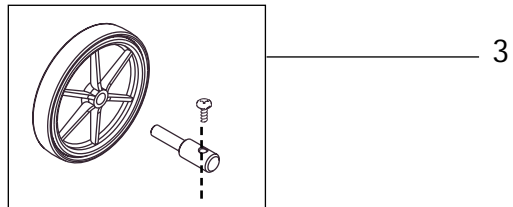
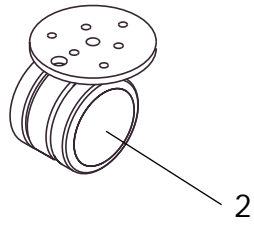
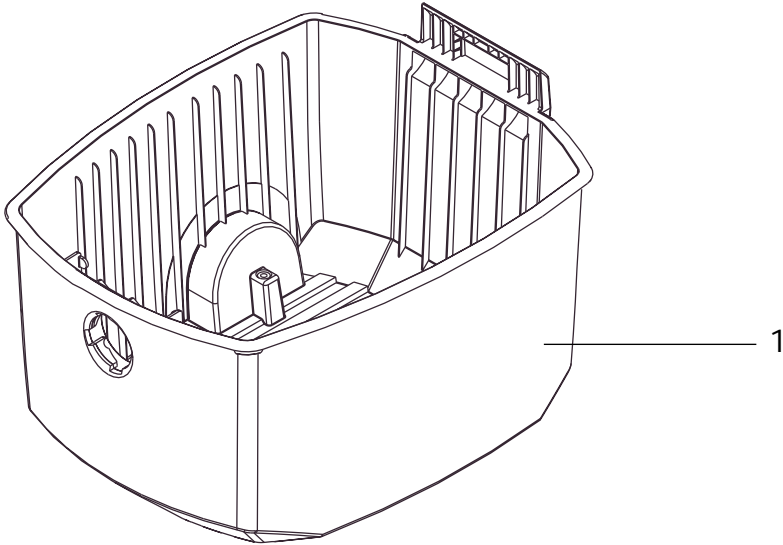
**FILTER AND HEPA FILTER**



|                        |  |  |   |
|------------------------|--|--|---|
| FILTERS SERVICE KIT    |  |  |   |
| FILTER AND HEPA FILTER |  |  | 9 |

| Item | Ref.No. | Qty | Description                    | Note                       |
|------|---------|-----|--------------------------------|----------------------------|
| 1    | 208616  | 1   | Filter unit, GD 1005, blue     | Area: 1200 cm <sup>2</sup> |
| 2    | 208617  | 1   | Filter unit, GD 1010, GDS 1010 | Area: 2300 cm <sup>2</sup> |
| 3    | 208618  | 1   | HEPA filter, HDS 1005          | Area: 4300 cm <sup>2</sup> |

|  |  |
|--|--|
|  <b>IVIE</b><br>Enterprises, Inc. | <b>ORDER PARTS</b><br>Online: <a href="http://www.ivie-ent.com">www.ivie-ent.com</a><br>Phone: (918)254-5161 |
|--|--|



**CONTAINER SERVICE KIT****BOTTOM PARTS****11**

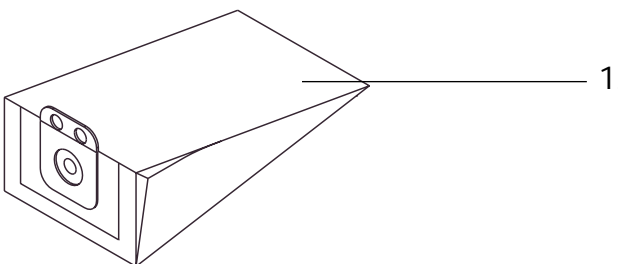
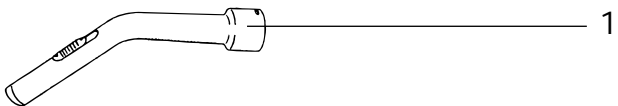
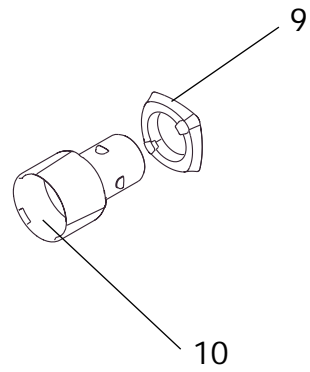
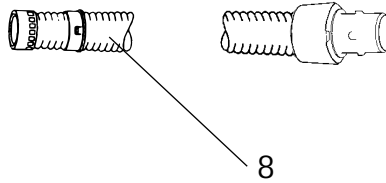
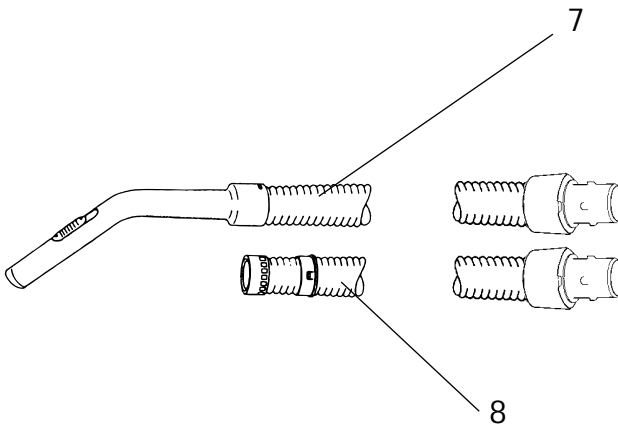
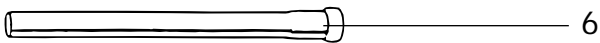
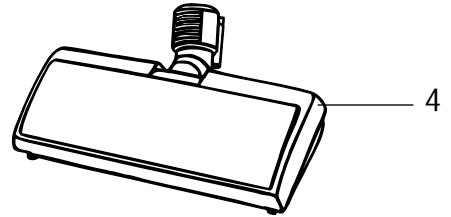
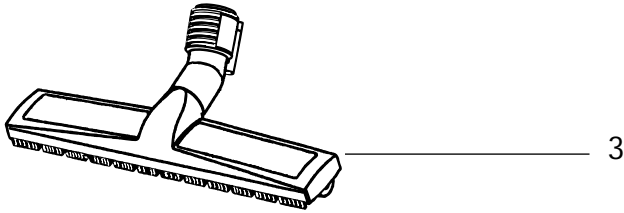
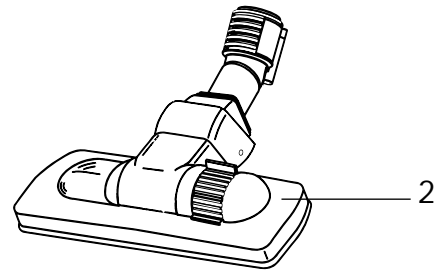
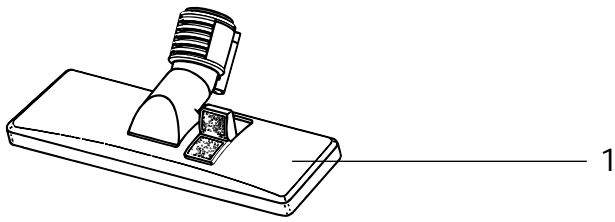
| Item | Ref.No. | Qty | Description                                   | Note |
|------|---------|-----|---|------|
| 1    | 208619  | 1   | Container, 8.75 litre,<br>GD 1005, HDS 1005   |      |
| 1    | 208621  | 1   | Container, 16 litre<br>GD 1010, GDS 1010      |      |
| 2    | 208622  | 1   | Front wheel with internal<br>plate and screws |      |
| 3    | 208623  | 1   | Wheel   |      |

 **IVIE** Enterprises, Inc. **ORDER PARTS**  
Online: [www.ivie-ent.com](http://www.ivie-ent.com)  
Phone: (918)254-5161

ACCESSORIES

12

NOZZLES, TUBES, HOSES AND DUST BAGS

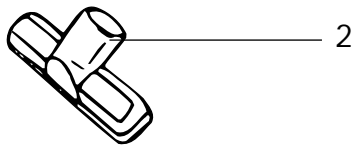
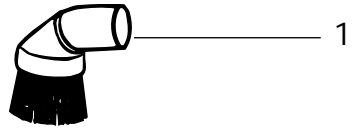


**ACCESSORIES**

**NOZZLES, TUBES, HOSES AND DUST BAGS**

**13**

| Item | Ref.No. | Qty | Description  | Note   |
|------|---------|-----|--|--|
| 1    | 208624  | 1   | Combi dry nozzle with parking clip, 3132                       | Mat.: PP<br>Colour: Grey, RAL 7001<br>Width: 306 mm      |
| 2    | 208625  | 1   | Roller combi dry nozzle with parking clip, 3032                | Mat.: PP<br>Colour: Grey, RAL 7001<br>Width: 294 mm      |
| 3    | 208626  | 1   | Hard floor nozzle with stationary brush and parking clip, 3632 | Mat.: PP<br>Colour: Grey, RAL 7001<br>Width: 360 mm      |
| 4    | 208627  | 1   | Electro nozzle with parking clip, 2832, 220-240 V              | Mat.: PA, ABS<br>Colour: Grey, RAL 7001<br>Width: 280 mm |
| 5    | 208628  | 1   | Parking clip   | Mat.: POM<br>Colour: Grey, RAL 7001                      |
| 6    | 208629  | 1   | Tube   | Mat.: Steel<br>Length: 560 mm                            |
| 7    | 208630  | 1   | Tapered hose with ø 32 mm curved plast tube, 2 m               | Mat.: PP, PE<br>Colour: Silver                           |
| 8    | 208631  | 1   | Tapered hose with coupling only                                | Mat.: PP, PE<br>Colour: Silver                           |
| 9    | 208632  | 1   | Gasket   | Mat.: EPDM<br>Colour: Black                              |
| 10   | 208633  | 1   | Hosecoupler  | Mat.: PC<br>Colour: Dark grey, RAL 7016                  |
| 11   | 208634  | 1   | Curved ø 32 mm plast tube                                      | Mat.: PP with steelfibers<br>Colour: Grey, RAL 7001      |
| 12   | 208638  | 1   | Dust bag (4.5 l), packed with 5 pcs. in a plast bag            | Mat.: Paper unbleached<br>Colour: Brown                  |
|      | 208640  | 1   | 50 pcs. in a carton  |  |
|      | 208641  | 1   | Dust bag (9.5 l), packed with 5 pcs. in a plast bag            |  |
|      | 208642  | 1   | 50 pcs. in a carton  |  |
|      | 208643  | 1   | (4.5 l) 250 pcs. in a carton                                   |  |
|      | 208644  | 1   | (9.5 l) 250 pcs. in a carton                                   |  |



Cloth filter bag ————— 4

Bag clip ————— 5

Cord hook ————— 6

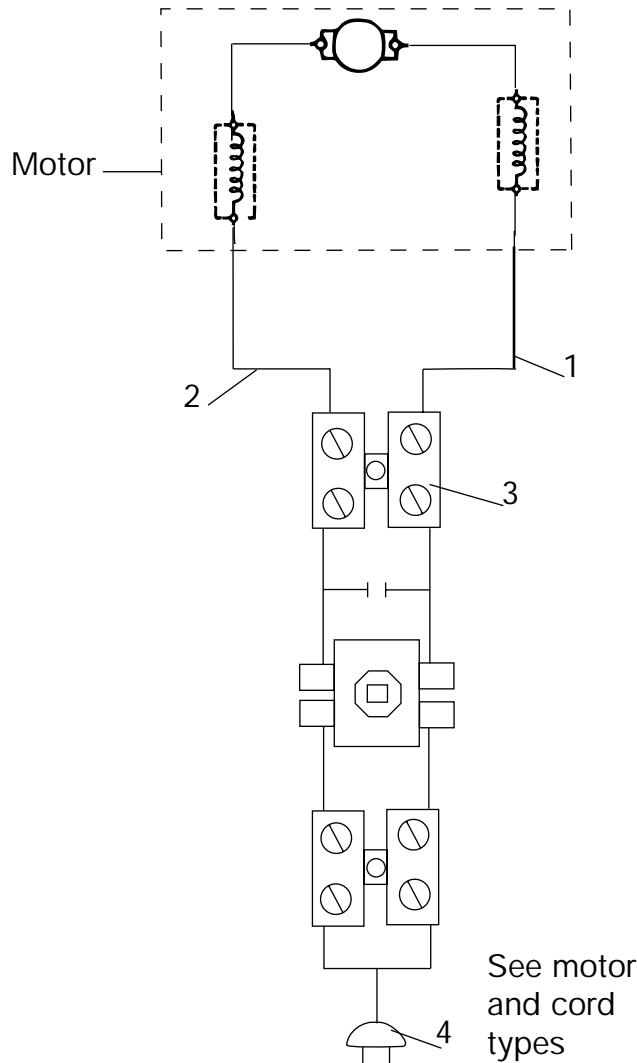
Turbo powered floor tool — 7

**ACCESSORIES**

15

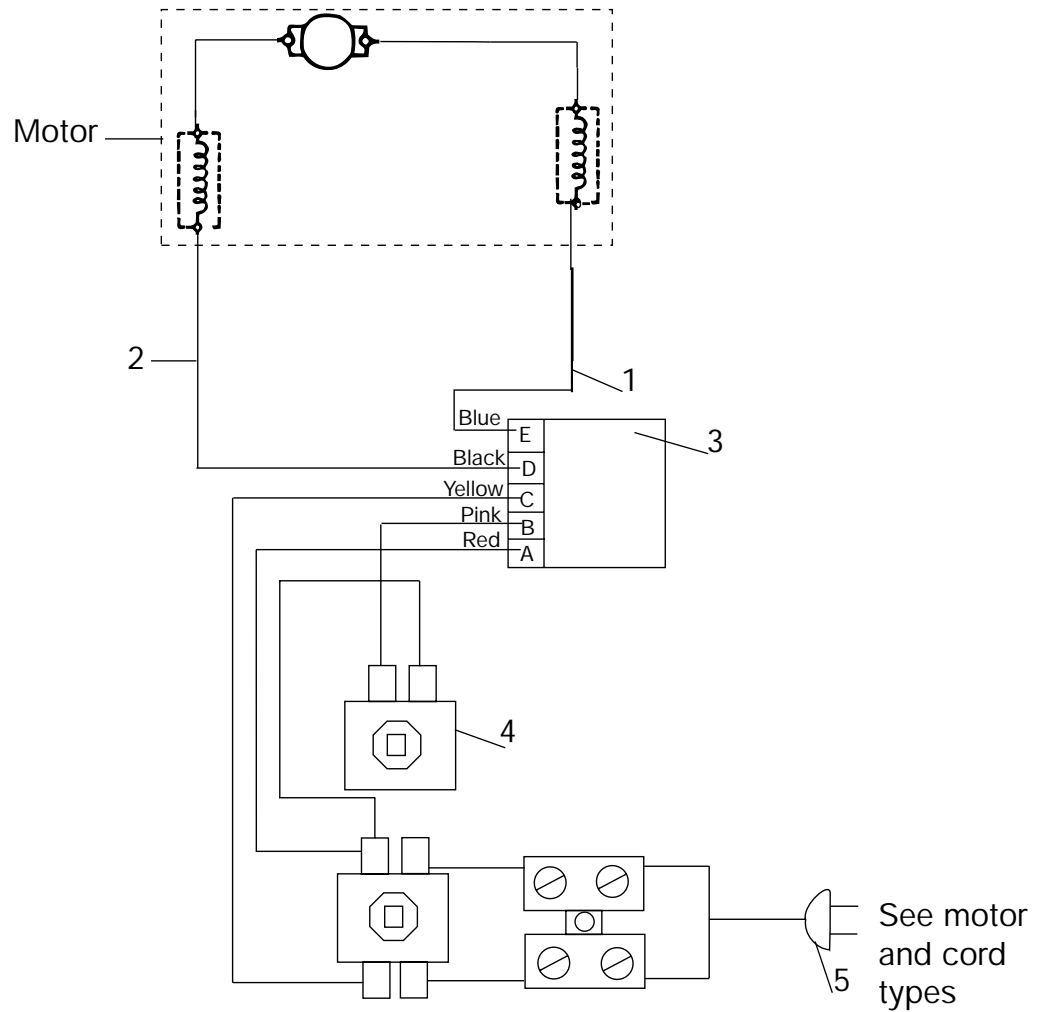
| Item | Ref.No. | Qty | Description              | Note |
|------|---------|-----|--------------------------|------|
| 1    | 208636  | 1   | Dusting tool, ø 70 mm    |      |
| 2    | 208637  | 1   | Upholstery tool          |      |
| 3    | 208635  | 1   | Crevice tool             |      |
| 4    | 208645  | 1   | Cloth filter bag         |      |
| 5    | 330608  | 1   | Bag clip                 |      |
| 6    | 208646  | 1   | Cord hook                |      |
| 7    | 100687  | 1   | Turbo powered floor tool |      |

|   |   |
|---|---|
|  | <p><b>ORDER PARTS</b></p>   |
|   | <p>Online: <a href="http://www.ivie-ent.com">www.ivie-ent.com</a><br/>         Phone: (918)254-5161</p> |



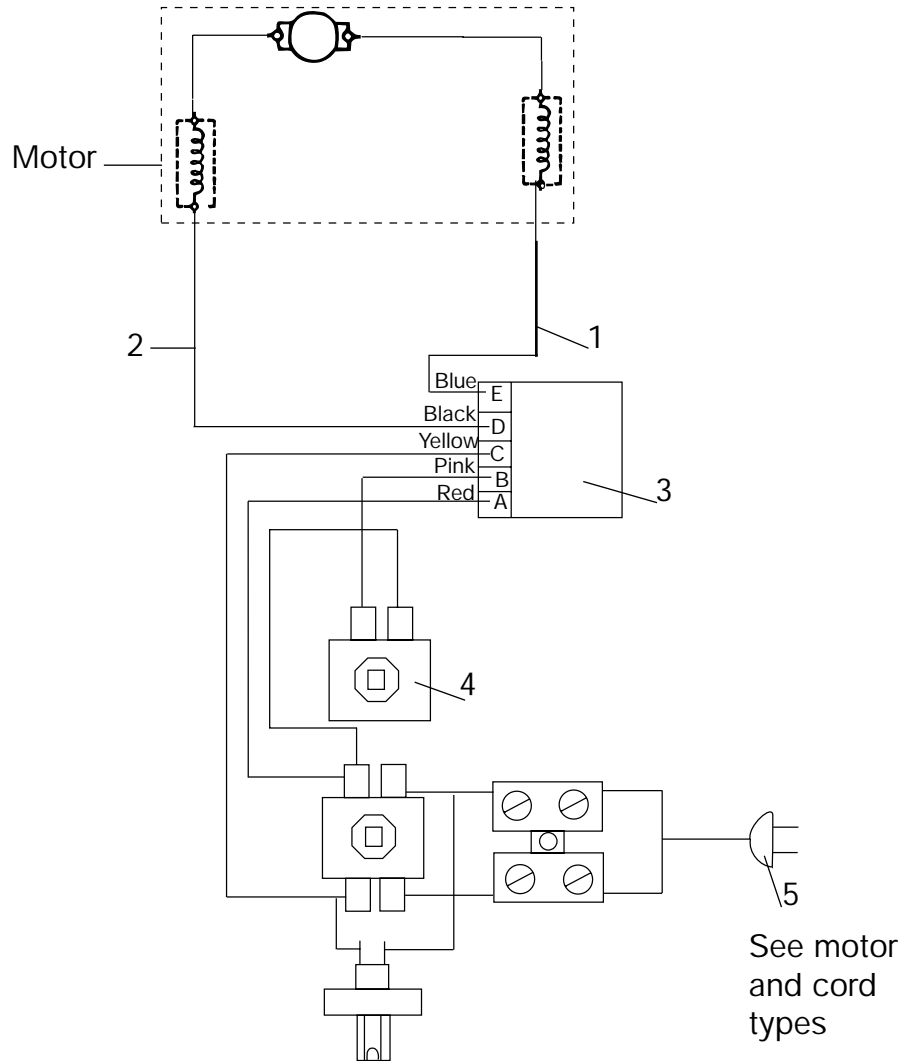
| No. | Part name  |
|-----|--|
| 1   | Internal wire with thermo switch (white, 590 mm, connection: 4.8 x 0.5 mm, $\varnothing$ 1.8 x 6 mm) |
| 2   | Internal wire (brown, 260 mm, connection 4.8 x 0.5 mm, $\varnothing$ 1.8 x 6 mm)                     |
| 3   | Switch incl. terminal blocks, complete   |
| 4   | Cord (grey, length: 10 m)  |

| Symbol explanation |            |           |                |                    |      |
|--------------------|------------|-----------|----------------|--------------------|------|
|                    |            |           |                |                    |      |
| Armature           | Field coil | Capacitor | Terminal block | Double pole switch | Cord |



| No. | Part name   |
|-----|---|
| 1   | Internal wire with thermo switch (blue, 785 mm, connection: 4.8 x 0.5 mm, $\varnothing$ 1.8 x 6 mm) |
| 2   | Internal wire (black, length: 420 mm, connection 4.8 x 0.5 mm, $\varnothing$ 1.8 x 6 mm)            |
| 3   | Printed circuit board, included capacitor   |
| 4   | Switch unit for speed regulation  |
| 5   | Cord (grey, length: 10 m)   |

| Symbol explanation |            |                |      |                       |                    |                    |
|--------------------|------------|----------------|------|-----------------------|--------------------|--------------------|
|                    |            |                |      |                       |                    |                    |
| Armature           | Field coil | Terminal block | Cord | Printed circuit board | Single pole switch | Double pole switch |



| No. | Part name   |
|-----|---|
| 1   | Internal wire with thermo switch (blue, 785 mm, connection: 4.8 x 0.5 mm, ø 1.8 x 6 mm) |
| 2   | Internal wire (black, length: 420 mm, connection 4.8 x 0.5 mm, ø 1.8 x 6 mm)            |
| 3   | Printed circuit board, included capacitor   |
| 4   | Switch with outlet, complete  |
| 5   | Cord (grey, length: 10 m)   |

| Symbol explanation |            |      |        |                       |                    |                    |
|--------------------|------------|------|--------|-----------------------|--------------------|--------------------|
|                    |            |      |        |                       |                    |                    |
| Armature           | Field coil | Cord | Outlet | Printed circuit board | Single pole switch | Double pole switch |
|                    |            |      |        |                       |                    |                    |
| Terminal block     |            |      |        |                       |                    |                    |