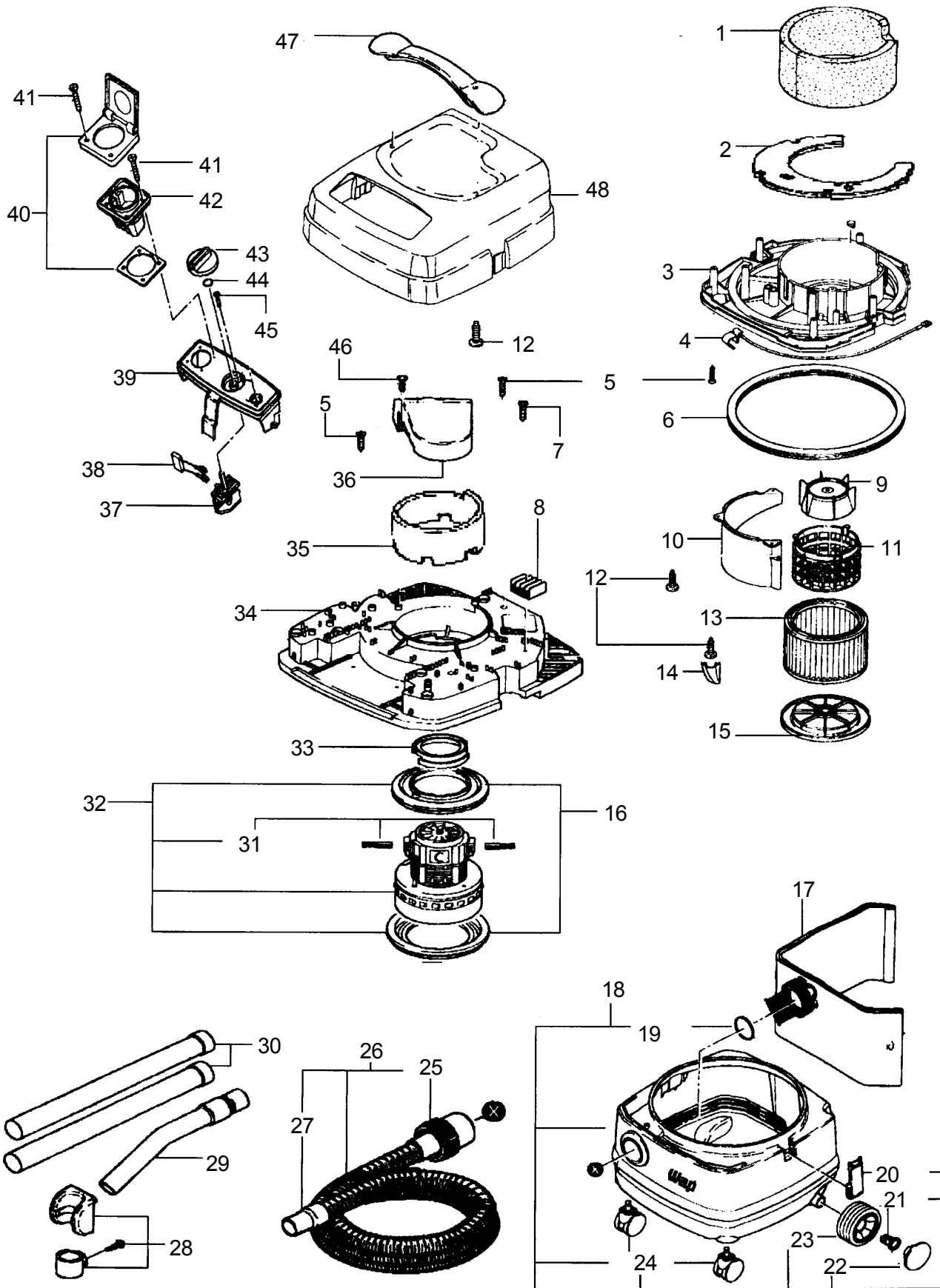




**aero / SQ**  
**Wet/Dry Vacuum**  
**Section II**  
**Parts and Service**

(70204A)

WAP TECHNOLOGY  
 SQ 10 & 15 Gallon  
 Assembly Drawing 3/00



**WAPTECHNOLOGY**  
**SQ 10 &15 Gallon**  
**Assembly Parts List 3/00**

Ref.	Part No.	Description	Qty
1	47014	Ring, Foam Rubber	1
2	47006	Silencer	1
3	44239	Lower Housing, SQ.	1
4	26792	Ground Contact SQ. 10	1
5	11253	Screw, 50mm x 20mm	1
6	11222	Packing Ring, Gasket	1
7	11256	Screw, 35mm x 18mm	1
8	48421	Terminal Block	1
9	11835	Float, Short	1
10	45692	Deflector	1
11	46418	Filter Frame	1
12	11565	Screw, 50 x 18	1
13	29747	Fleece Filter, SQ.	1
14	47025	Covering	1
15	29753	Filter Holder Disc, SQ.	1
16	31972	Rubber Seal, Vac Motor	2
17	29739	Filter Bags, 10 Gallon	
	14896	Filter Bags, 15 Gallon	
18	65243	Canister, SQ 10 Blue	1
	100006	Canister, SQ 15 Blue	1
19	29191	Packing Ring SQ	1
20	26797	Clamp	2
21	43975	Retaining Pin (Wheel)	2
22	43435	Cap (Wheel)	2
23	43433	Wheel	2
24	46298	Cater Swivel	
25	15102	Swivel, Hose	1
26	15805	Suction Hose 1.5" x 10'	1
27	11597	Hose Cuff	1
28	29758	Wand Bracket Set	1
29	5103	Curved Wand, Chrome	1
30	15546	Straight Wand EXT. (2 Pcs.)	1
31	26774	Carbon Brush (Pair)	1
32	26785	Vac, Motor Complete	1
33	47035	Rubber Seal, Vac Motor	1
34	44240	Upper Housing, SQ	1
35	47015	Motor Ring	1
36	25700	Air Diverter, SQ.	1
37	29989	Rotary Switch, SQ.	1
38	48338	Screening Filter	1
39	29755	Control Panel	1
40	46297	Plug Cover	1
41	46248	Screw	1
42	49267	Plug Socket	1
43	243606	Knob, SQ.	1
44	9868	O Ring 10 x 2.5 mm	1
45	18274	Screw	
46	11254	Screw	
47	26801	Handle	1
48	26803	Cover SQ.	1