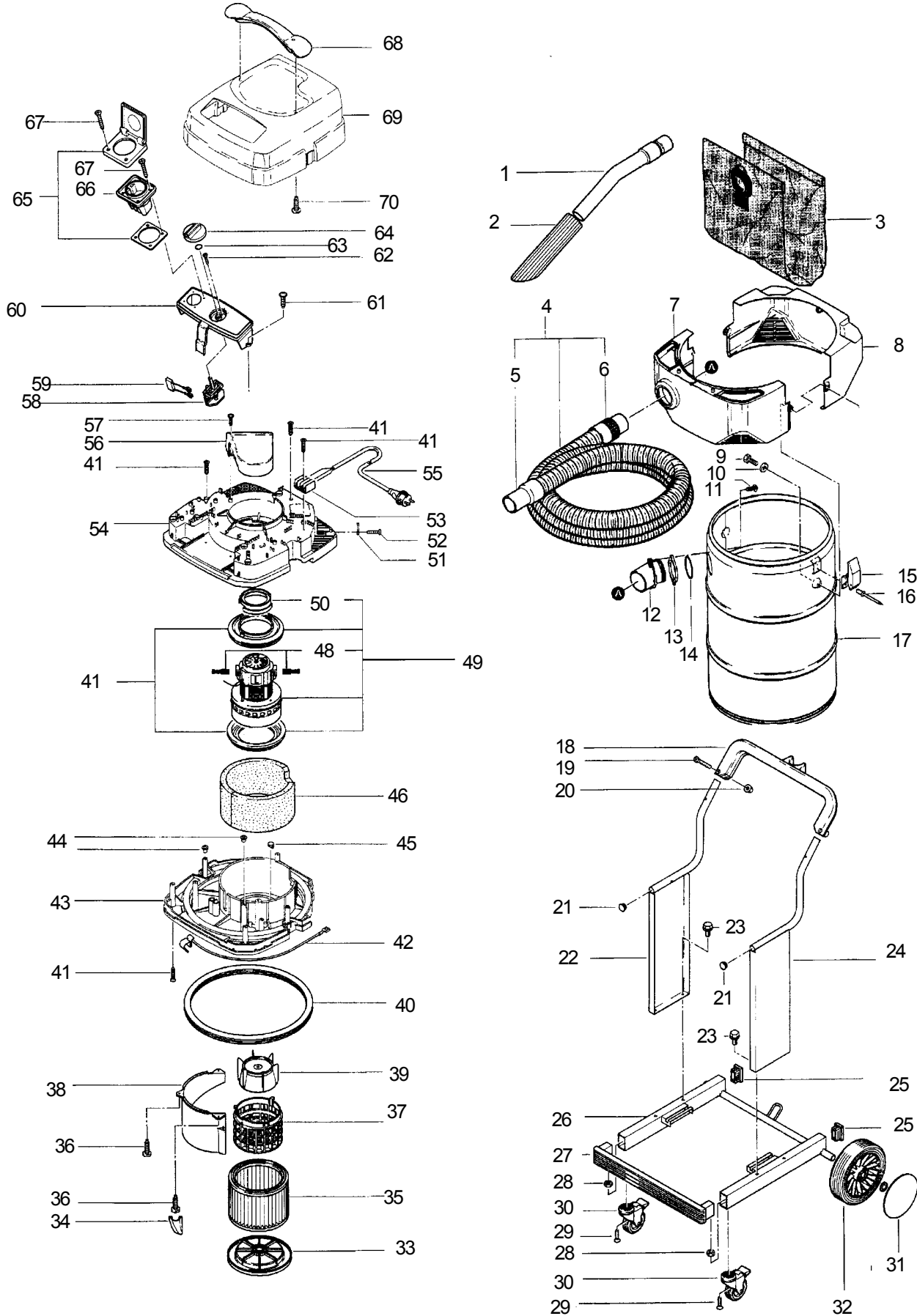




**aero / SQ**  
**Wet/Dry Vacuum**  
**Section II**  
**Parts and Service**

(70204A)

WAP TECHNOLOGY  
 SQ 17 Gallon  
 Assembly Drawing 3/00



**WAPTECHNOLOGY**  
**SQ 17 Gallon**  
**Assembly Parts List 3/00**

Ref.	Part No.	Description	Qty
1	5103	Curved Wand, Chrome	
2	5067	Rubber Nozzle	
3	47429	Filter Bag, SQ. 17 (5 pcs.)	
4	15365	Hose, Vac 13' x 36 mm	1
5	11597	Hose Cuff	1
6	15102	Swivel, Hose	1
7	60738	Belt, Front	1
8	60737	Belt, Rear	1
9	17847	Screw, 6mm x 20mm	
10	17849	Washer, 6.4 x 1.6	
11	11565	Screw, 50 x 18	
12	46073		
13	46223		
14	29191	Packing Ring SQ	1
15	19880	Clamp	2
16	15889	Rivet	4
17	60739	Canister 17 Gal.	1
18	46134	Handle Bar SQ.	1
19	17737	Screw, Countersunk	
20	12496	Nut	
21	60767	End Cap	2
22	60746	Panel, Side R.H.	1
23	60771	Screw, Self Threading	4
24	60744	Panel, Side L.H.	1
25	7895	End Cap, Carriage Frame	2
26	60741	Frame	2
27	46301	Bracket, Frt. Carriage	1
28	2758	Nut M8	1
29	30738	Screw, M8 x 30	
30	11474	Caster, Locking	2
31	46490	Cap, Wheel	2
32	48647	Wheel	2
33	29753	Filter Holder Disc	1
34	47025	Covering	3
35	29747	Fleece Filter	1

Ref.	Part No.	Description	Qty
36	11565	Screw, 50 x 18	
37	46418	Filter Frame	1
38	45692	Deflector	1
39	11835	Float, Short	1
40	11222	Packing Ring Gasket	1
41	11253	Screw, 50 x 20	
42	26792	Ground Contact	1
43	44239	Lower Housing	1
44	48414	Plug	2
45	46640	Washer	
46	47014	Foam Ring	1
47	28875	Motor Seal	2
48	26774	Carbon Brushes (Pair)	1
49	26785	Vacuum Motor Complete	1
50	47036	Rubber Ring	1
51	5697	Strain Relief	1
52	11256	Screw 35 x 18	
53	48421	Terminal Block	1
54	44240	Upper Housing SQ	1
55	60285	Power Cord	1
56	25700	Air Diverter	1
57	24738	Screw	
58	29989	Rotary Switch	1
59	48338	Screening Filter	1
60	29755	Control Panel	1
61	11254	Screw	
62	18274	Screw	
63	9868	O Ring 10 x 2.5	1
64	243606	Knob, SQ.	1
65	46297	Plug Cover, SQ	1
66	49267	Plug Socket	1
67	46428	Screw	
68	26801	Handle SQ.	1
69	26803	Cover SQ.	1
70	10029	EJOT - Screw 5.0 x 25	

**IVIE Enterprises**

[www.ivie-ent.com](http://www.ivie-ent.com) Ph:(918)254-5161 or (888)262-5161 Fax:(918)250-4807